

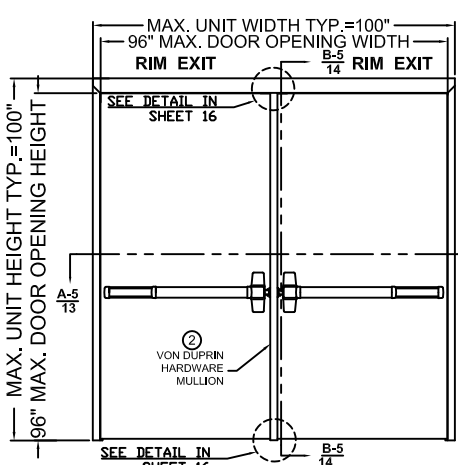
CONFIG.	DESIGN PRESSURE RATING, PSF	
	WHERE WATER INFILTRATION REQUIREMENT IS NEEDED	WHERE WATER INFILTRATION REQUIREMENT IS NOT NEEDED
1	±75 SEE TABLE 3.1 ON SHT. 5	±75 SEE TABLES 4.1 ON SHT.7 & 4.2 ON SHT.8

CONFIG.	DESIGN PRESSURE RATING, PSF	
	WHERE WATER INFILTRATION REQUIREMENT IS NEEDED	WHERE WATER INFILTRATION REQUIREMENT IS NOT NEEDED
1	±60 SEE TABLE 3.1 ON SHT. 5	±60 SEE TABLES 4.1 ON SHT.7 & 4.2 ON SHT.8

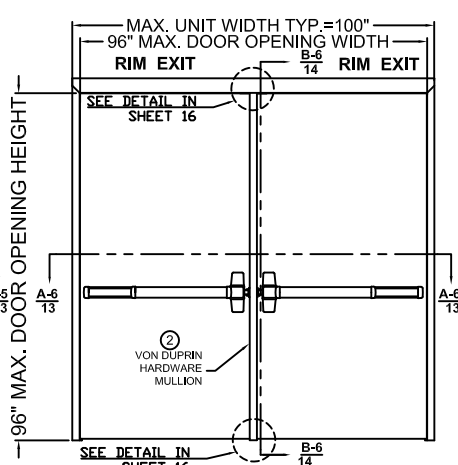
CONFIG.	DESIGN PRESSURE RATING, PSF	
	WHERE WATER INFILTRATION REQUIREMENT IS NEEDED	WHERE WATER INFILTRATION REQUIREMENT IS NOT NEEDED
2	±55 SEE TABLE 3.1 ON SHT. 5	±55 SEE TABLES 4.1 ON SHT.7 & 4.2 ON SHT.8

CONFIG.	DESIGN PRESSURE RATING, PSF	
	WHERE WATER INFILTRATION REQUIREMENT IS NEEDED	WHERE WATER INFILTRATION REQUIREMENT IS NOT NEEDED
3	±65 SEE TABLE 3.1 ON SHT. 5	±65 SEE TABLES 4.1 ON SHT.7 & 4.2 ON SHT.8

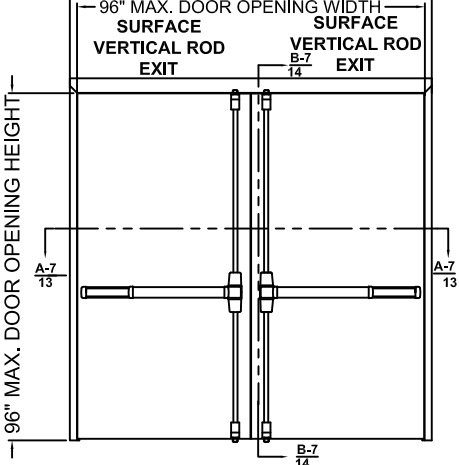
CONFIG.	DESIGN PRESSURE RATING, PSF	
	WHERE WATER INFILTRATION REQUIREMENT IS NEEDED	WHERE WATER INFILTRATION REQUIREMENT IS NOT NEEDED
4	±75 SEE TABLE 3.1 ON SHT. 5	±75 SEE TABLES 4.1 ON SHT.7 & 4.2 ON SHT.8



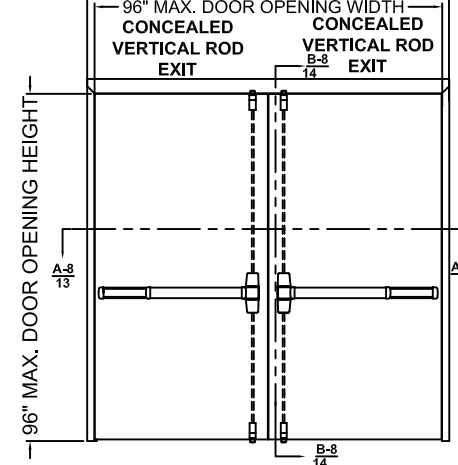
CONFIG.	DESIGN PRESSURE RATING, PSF	
	WHERE WATER INFILTRATION REQUIREMENT IS NEEDED	WHERE WATER INFILTRATION REQUIREMENT IS NOT NEEDED
5	±75 SEE TABLE 3.1 ON SHT. 5	±90* SEE TABLES 4.1 ON SHT.7 & 4.2 ON SHT.8



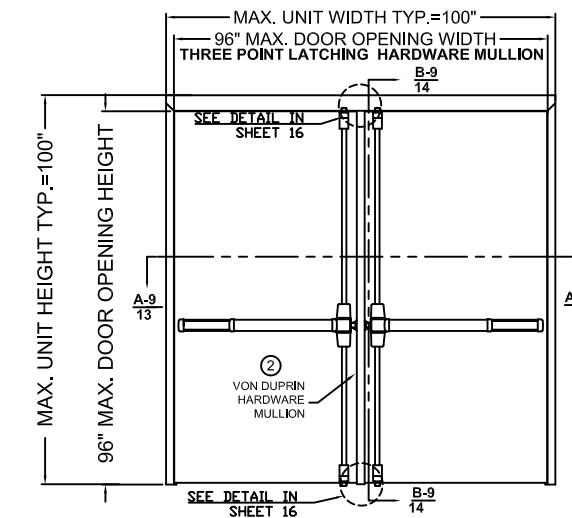
CONFIG.	DESIGN PRESSURE RATING, PSF	
	WHERE WATER INFILTRATION REQUIREMENT IS NEEDED	WHERE WATER INFILTRATION REQUIREMENT IS NOT NEEDED
6	±70 SEE TABLE 3.1 ON SHT. 5	±70 SEE TABLES 4.1 ON SHT.7 & 4.2 ON SHT.8



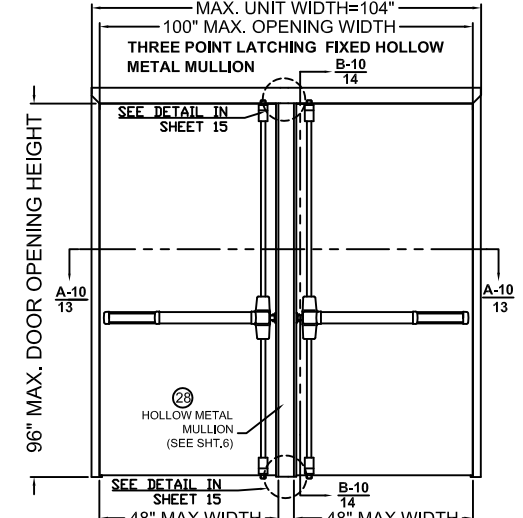
CONFIG.	DESIGN PRESSURE RATING, PSF	
	WHERE WATER INFILTRATION REQUIREMENT IS NEEDED	WHERE WATER INFILTRATION REQUIREMENT IS NOT NEEDED
7	±70 SEE TABLE 3.1 ON SHT. 5	±70 SEE TABLES 4.1 ON SHT.7 & 4.2 ON SHT.8



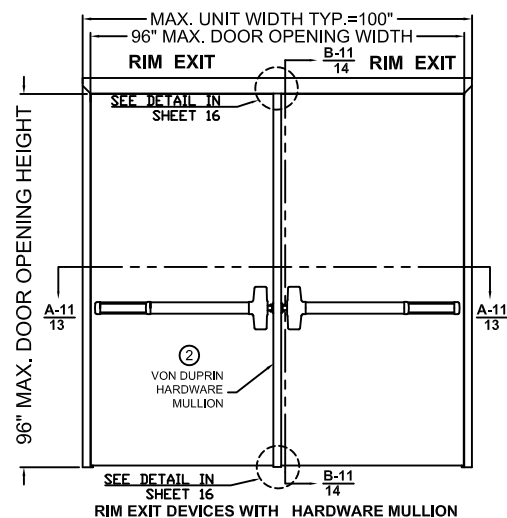
CONFIG.	DESIGN PRESSURE RATING, PSF	
	WHERE WATER INFILTRATION REQUIREMENT IS NEEDED	WHERE WATER INFILTRATION REQUIREMENT IS NOT NEEDED
8	±70 SEE TABLE 3.1 ON SHT. 5	±70 SEE TABLES 4.1 ON SHT.7 & 4.2 ON SHT.8



CONFIG.	DESIGN PRESSURE RATING, PSF	
	WHERE WATER INFILTRATION REQUIREMENT IS NEEDED	WHERE WATER INFILTRATION REQUIREMENT IS NOT NEEDED
9	±70 SEE TABLE 3.1 ON SHT. 5	±70 SEE TABLES 4.1 ON SHT.7 & 4.2 ON SHT.8

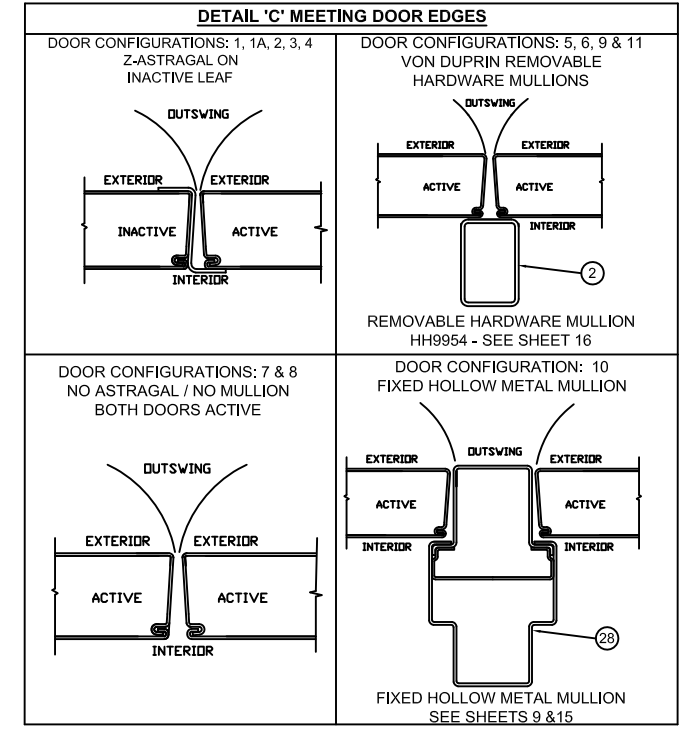


CONFIG.	DESIGN PRESSURE RATING, PSF	
	WHERE WATER INFILTRATION REQUIREMENT IS NEEDED	WHERE WATER INFILTRATION REQUIREMENT IS NOT NEEDED
10	±70 ZERO INT'L 566 (11A) SEE TABLE 3.2 ON SHT. 6	±70 SEE TABLE 4.1 ON SHT.7
	+50/-70 NGP 950 (11B) SEE TABLES 3.3 ON SHT. 6	±70 SEE TABLE 4.2 ON SHT.8



CONFIG.	DESIGN PRESSURE RATING, PSF	
	WHERE WATER INFILTRATION REQUIREMENT IS NEEDED	WHERE WATER INFILTRATION REQUIREMENT IS NOT NEEDED
11	+70/-55 SEE TABLE 3.1 ON SHT. 5	+70/-55 SEE TABLES 4.1 ON SHT.7 & 4.2 ON SHT.8

REVISIONS				
LTR	DESCRIPTION	DATE	APPROVED	
A	APPROVAL DWG	YMF	05/20/07	
E	REVISED DWG	YMF	02/28/08	
F	REVISED DWG	YMF	05/30/08	
G	REVISED PER_MDBCCD	YMF	02/06/09	
H	REVISED DWG	YMF	02/01/10	
J	REVISED DWG	YMF	04/06/10	
K	REVISED NAME	JPD	11/01/13	
L	REVISED DWG	JPD	02/01/15	
M	ENGINEER CHANGE	AM	12/01/16	
D	REVISED DWG	JPD	07/18/18	

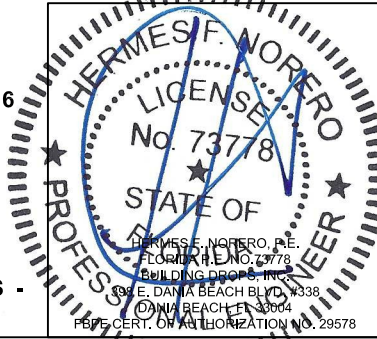


COMPLIANCE STATEMENT:

1. THESE PRODUCTS HAVE BEEN TESTED TO HVHZ PROTOCOLS TAS 201, 202 & 203-94, ASTM PROTOCOLS E283-04, E330-02 AND E331-00, AND COMPLY WITH THE CURRENT EDITION OF THE FLORIDA BUILDING CODE.

NOTES:

1. INTERIOR VIEWS ARE SHOWN FOR ALL ELEVATIONS (OUTSWING DOORS)
2. SEE TABLE 1 ON SHEET 2 FOR HARDWARE APPLICATIONS AND LIMITATIONS
3. SEE SHEET 3 & 16 FOR HINGE REQUIREMENTS
4. SEE SHEETS 4 & 17 FOR ANCHORING TYPES AND LIMITATIONS AND SHEETS 15 & 16 FOR MULLION INSTALLATION.
5. SEE SHEET 5 TABLE 3.1 AND SHEET 6 TABLES 3.2 & 3.3 FOR WATER RATED THRESHOLDS AND WEATHERSTRIPPING INSTALLATION AND LIMITATIONS
6. SEE SHEET 7 TABLE 4.1 AND SHEET 8 TABLE 4.2 FOR NON WATER RATED THRESHOLDS AND WEATHERSTRIPPING INSTALLATION AND LIMITATIONS
6. SEE SHEETS 3 - 8, & 17 FOR SILL INSTALLATION INFORMATION
7. ALL CONFIGURATIONS MEET LARGE AND SMALL MISSILE IMPACT REQUIREMENTS - LARGE MISSILE IMPACT AT (50 F/S)



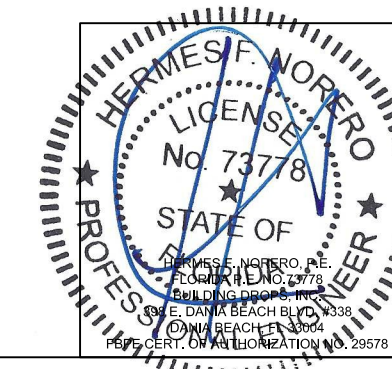
BEND RADIUS	SCHLAGE LOCK COMPANY, LLC 11819 N. PENNSYLVANIA STREET CARMEL, IN 46032		
THIRD ANGLE PROJECTION	TITLE: STEELCRAFT H SERIES DOUBLE FLUSH OUTSWING COMMERCIAL STEEL DOORS WITH AND WITHOUT PANIC EXIT DEVICES		
DRAWN YMF	DATE 05/20/07	FLORIDA BUILDING COMMISSION PRODUCT APPROVAL FLUSH OUTSWING, DOUBLE DOORS AND HARDWARE CONFIGURATIONS.	
CHECKED		SIZE FLAT	DWG NO. IRF D07
APPROVED		SCALE: NTS	REV □
ENG. APPVL JPD	10/12/07	AUTOCAD	SHEET 1 OF 17

Door Configuration	Maximum Design Pressure, PSF		Maximum Door Opening Size, in.		Locking Hardware Description				Comments
	Positive	Negative	Width	Height	Hardware Family	Model/Series	Strike Models	Brand	
1	75	75	96	96	Mortise Lock	L/LV9400, AD-MD & CO-MD	10-072	Schlage	Function with deadbolt, 3/4" min. throw latch & 1" min throw deadbolt
						LE-MD		Schlage	
						MA	ANSI	Falcon	
1A	60	60	96	96	Mortise Lock	L/LV9000, AD-MS, & CO-MS	10-025	Schlage	Function without deadbolt, 3/4" min. throw latch
						LE-MS	10-025	Schlage	
2	55	55	96	96	Cylindrical Lock	AL	10-025	Schlage	1/2" throw latch
3	65	65	96	96	Cylindrical Lock	D, ND, NDE, AD-CY & CO-CY	10-025	Schlage	1/2" throw latch
4	75	75	96	96	Cylindrical Lock	D, ND, NDE, AD-CY & CO-CY	10-025	Schlage	3/4" throw latch
						T	ANSI	Falcon	3/4" throw latch
5	90 SEE NOTE 4.	90 SEE NOTE 4.	96	96	Rim Exit Device	XP98/99 & XP98/99-F	909/954	Von Duprin	for pairs use HH9954 mullion by Von Duprin
6	70	70	96	96	Rim Exit Device	88-F	268/499F	Von Duprin	for pairs use HH9954 mullion by Von Duprin
						98/99 & 98/99-F	299F/499F	Von Duprin	
7	70	70	96	96	Surface Vertical Rod Exit Device	98/9927 & 98/9927-F	299F/499F Top, 304L/248L4 Bottom	Von Duprin	
						F-25-V & 25-V	3788 Top, 2130 Bottom	Falcon	
8	70	70	96	96	Concealed Vertical Rod Exit Device	98/9947-F & HH98/9947	338 Top, 385A or 304L Bottom	Von Duprin	HH98/9947 devices have a 2-3/4" backset
						F-25-C	4188 Top, 2130 Bottom	Falcon	
9	70	70	96	96	Three-Point Latching Device	98/9957 & 98/9957-F	299F/499F Top/Middle, 304L/248L4 Bottom	Von Duprin	for pairs use HH9954 mullion by Von Duprin
10	70	70	48	96		98/9957 & 98/9957-F	299F/499F Top/Middle, 304L/248L4 Bottom	Von Duprin	See note #2
11	70	55	96	96	Rim Exit Device	F-25-R & 25-R	299F/499F	Falcon	for pairs use HH9954 mullion by Von Duprin

REVISIONS			
LTR	DESCRIPTION	DATE	APPROVED
A	APPROVAL DWG	YMF	05/20/07
C	REVISED DWG	RAP	12/03/07
D	REVISED DWG	YMF	01/16/08
E	REVISED DWG	YMF	02/28/08
F	REVISED DWG	YMF	05/30/08
G	REVISED PER_MDBCCD	YMF	02/06/09
H	REVISED DWG	YMF	03/18/09
J	REVISED DWG	YMF	04/06/10
K	REVISED NAME	JPD	11/01/13
L	REVISED DWG	JPD	02/01/15
M	ENGINEER CHANGE	AM	12/01/16
Q	REVISED DWG	JPD	07/18/18

TABLE 1.

- NOTES:**
- FOR DOOR CONFIGURATIONS 1, 1A, 2, 3, & 4, INACTIVE LEAF REQUIRES IVES SB360 SURFACE BOLTS IN TOP AND BOTTOM, EACH ATTACHED WITH (4) #12-24 OVAL HEAD MACHINE SCREWS AND SEX BOLTS.
 - DOOR CONFIGURATION 10 IS USING FIXED HOLLOW METAL MULLION BETWEEN TWO DOORS (SEE MULLION DETAIL IN SHEET 15)
 - SEE SHEETS 10 THROUGH 16 FOR LOCKING HARDWARE AND HARDWARE MULLION DETAILS
 - DOOR CONFIGURATION 5 IS RATED FOR MAXIMUM DESIGN PRESSURE UP TO ±75 PSF WITH ZERO INT'L THRESHOLD 11A OR FOR DOOR OPENINGS UP TO 3'-0" X 7'-0" WITH NGP THRESHOLD 11B AND ±50 PSF FOR DOOR OPENINGS UP TO 4'-0" X 8'-0" WITH NGP THRESHOLD 11B WHEN WATER INFILTRATION REQUIREMENT IS NEEDED. SEE SHEETS 5 AND 6.
 - DOOR CONFIGURATION 5 IS WATER RATED FOR A MAXIMUM DESIGN PRESSURE UP TO ±75 WITH ZERO INT'L THRESHOLD (11A) OPTIONS AND UP TO ±90 PSF WITH THE NON-WATER RATED NGP 950 THRESHOLD (12B) OPTIONS WHEN WATER INFILTRATION REQUIREMENT IS NOT REQUIRED. SHEET 8.
 - SCHLAGE AL-SERIES CYLINDRICAL LOCK (DOOR CONFIGURATION 2) IS LIMITED TO ±55 PSF MAXIMUM DESIGN PRESSURE



BEND RADIUS		SCHLAGE LOCK COMPANY, LLC 11819 N. PENNSYLVANIA STREET CARMEL, IN 46032	
THIRD ANGLE PROJECTION		TITLE: STEELCRAFT H SERIES DOUBLE FLUSH OUTSWING COMMERCIAL STEEL DOORS WITH AND WITHOUT PANIC EXIT DEVICES	
DRAWN YMF	DATE 05/20/07	FLORIDA BUILDING COMMISSION PRODUCT APPROVAL FLUSH OUTSWING DOORS AND HARDWARE CONFIGURATIONS COMMERCIAL DOOR OPENING DOUBLE FLUSH DOORS.	
CHECKED		SIZE	FLAT
APPROVED		DWG NO.	IRF D07
ENG. APPVL JPD	10/12/07	SCALE:	NTS
		AUTOCAD	SHEET 2 OF 17

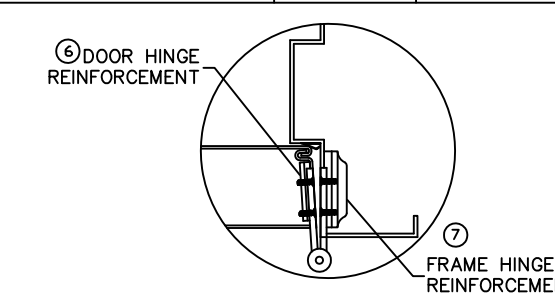
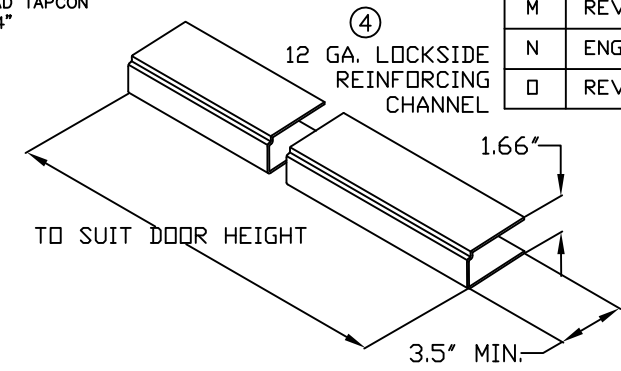
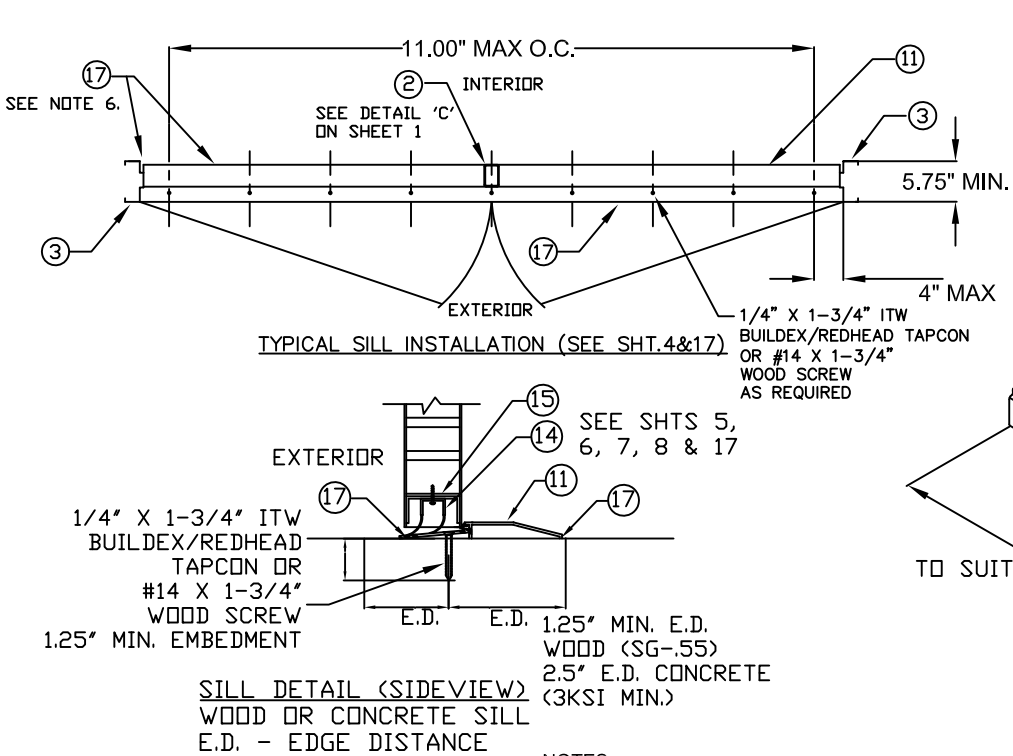
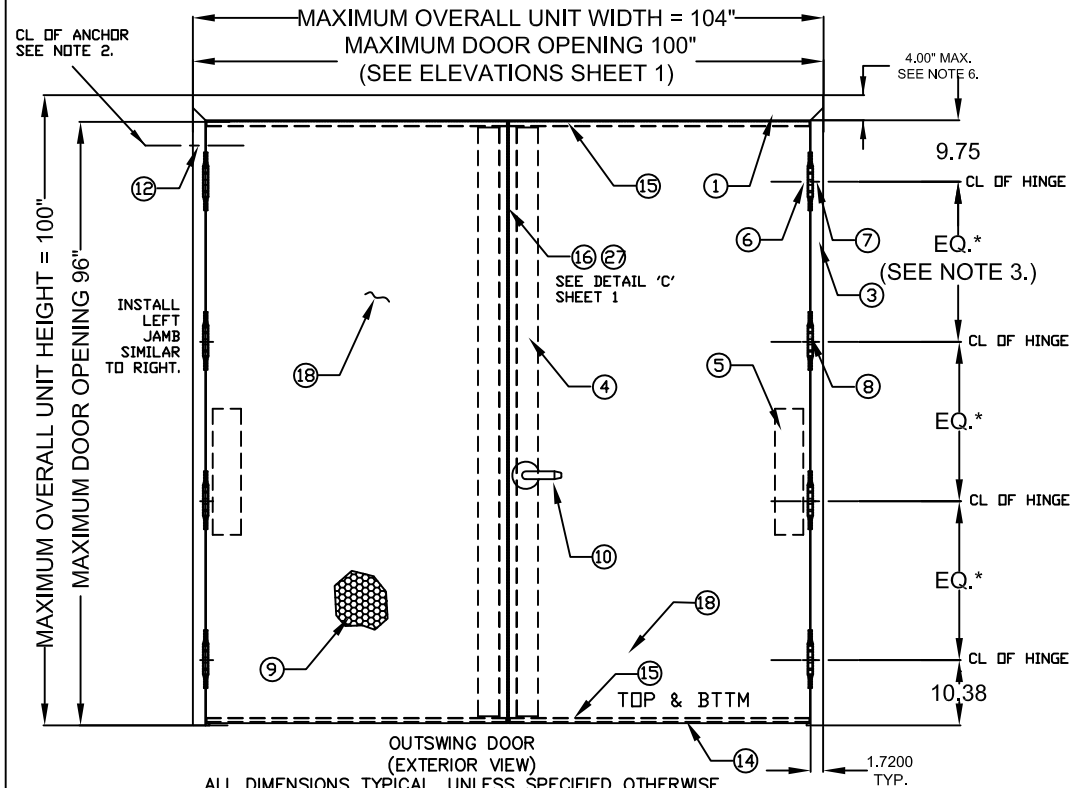
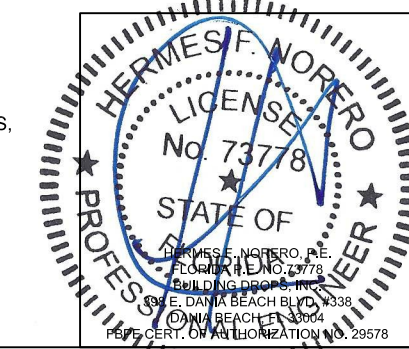


TABLE 2 ALL DIMENSIONS TYPICAL, UNLESS SPECIFIED OTHERWISE

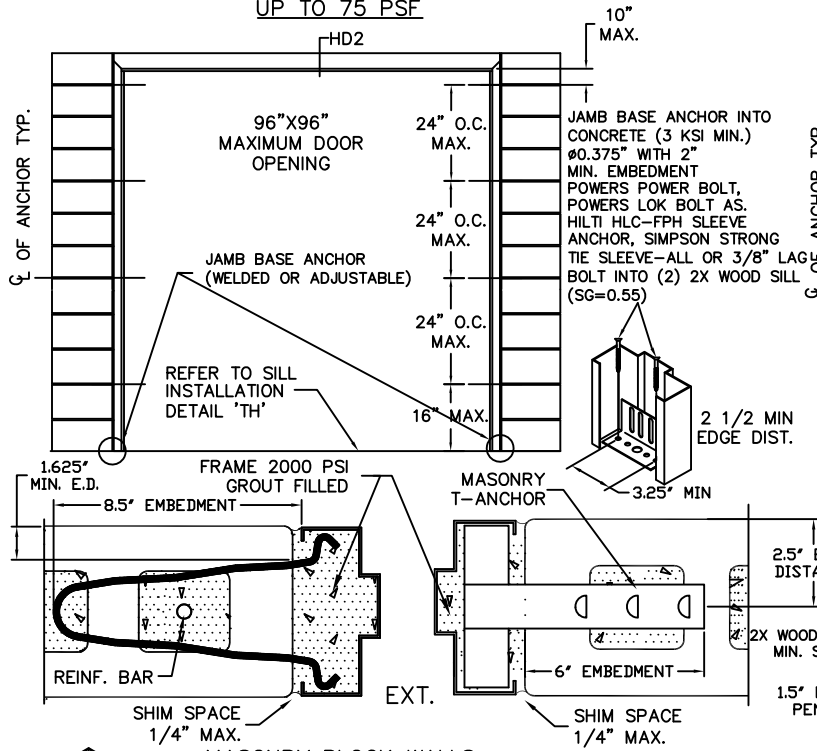
QUANTITY	DESCRIPTION	MATERIAL	SIZE
1	HEAD SEE SHT 9 ASTM A366	.053" MIN. STL	MAX. 100"
2	VON DUPRIN HH9954 HARDWARE MULLION	.312" A500 STL	MAX. 96" HEIGHT.
3	HINGE JAMB SEE SHT 9 ASTM A366	.053" MIN. STL	MAX. 100" HEIGHT.
4	LOCK SIDE REINFORCEMENT CHANNEL	.093" MIN. STL	3.5 X 93.44 MAX
5	HINGE SIDE PANIC REINFORCEMENT	.067" MIN. STL	MAX. 20"
6	NOTE 2. HINGE REINFORCEMENT DOOR ASTM A621	.167" MIN. STL.	1.23" X 9.19" MIN.
7	NOTE 2. HINGE REINFORCEMENT FRAME ASTM A621	.167" MIN. STL.	1.5" X 9.19" MIN.
8	NOTE 2. 4.5" X 4.5" BUTT HINGES (SEE SHT.16)	.134 MIN.	(8) #12-24 MS PER HINGE
	OPTIONAL CONTINUOUS HINGE (SEE SHT.16)	.750" MIN. STL/.12 ALUM	MAX. 95"
9	2 CORE MATERIAL (SHT.15) D) HONEYCOMB C) STEEL STIFFENED A/F) POLYSTYRENE		
		B/F) POLYURETHANE/POLYISOCYANURATE E) MINERAL BOARD	TEMPERATURE RISE CORE
10	2 LOCKING HARDWARE - SEE SHEETS 2, 10, 11 & 12		
	THRESHOLD SILL W/BUMPER GASKET (SEE SHTS. 5, 6, 7, & 8)		
11	11A) 566 ZERO WATER RATED SHTS 5&6 NON WATER SHT 7	.125" ALUM. 6063 T5	5.0"x0.5"x96"MAX.
	11B) 950A NGP WATER RATED SHT 6 NON WATER SHT 8	.078" ALUM. 6063 T5	
	11C) 65 ZERO NON WATER RATED SHEET 7	.125" ALUM. 6063 T5	
	11D) 568 ZERO NON WATER RATED SHEET 7	.125" ALUM. 6063 T5	
12	NOTE 1. JAMB ANCHOR ASTM A924	SEE SHEET 7	
13	SEE SHTS 6, 7 & 8 13A) PSD74 DOOR SEAL STEELCRAFT	TPE	VARIABLES
	13B)188S, 13C)117S, 13D)8144S, 13E)8150S DOOR SEAL ZERO	SILICONE	
14	2 FAS-SEAL DOOR SWEEP SEE SHTS 5,6,7&8	TPE	MAX. 47.66"
15	4 END CHANNEL ASTM A924 (14 GA - INVERTED)		.69" X 1.66" X 47.66" MAX.
16	16A) 328 SPLIT ASTRAGAL BY ZERO INT'L	SEE SHEETS 5 & 7	
	16B) 137 SPLIT ASTRAGAL BY NGP	SEE SHEETS 6 & 8	
17	AS NEEDED CAULK - BUTYL RUBBER OR 100% SILICONE	SEE SHTS 5,6,7&8	
18	2 DOOR SLAB (16 OR 14 GA)	SEE SHEET 9	4' X 8' MAX.
19	19A) 8150S DOOR SEAL BY ZERO INT'L SEE SHTS 5 & 7	TPE	MAX. 24'
	19B) 188S DOOR SEAL BY ZERO INT'L SEE SHTS 6 & 7		
20	4 202N DOOR SEAL BY NGP SEE SHEET 6	TPE	MAX. 96"
21	21A) 139 DOOR SWEEP BY ZERO INT'L	SEE SHEETS 5 & 6	MAX. 96" FOR VERTICAL
	21B) 328 DOOR SWEEP BY ZERO INT'L		MAX. 48" FOR HORIZONTAL
	21C) 200N DOOR SWEEP BY NGP		
22	22A) 475 ADJUSTABLE SEAL BY ZERO INT'L SEE SHEET 6	TPE	MAX. 48"
	22B) 170N ADJUSTABLE SEAL BY NGP SEE SHEET 6		
23	23A) 142 RAIN DRIP BY ZERO INT'L	SEE SHEETS 5 & 6	MAX. 104"
	23B) 11 RAIN DRIP BY ZERO INT'L		MAX. 48"
	23C) 16A RAIN DRIP BY NGP		
24	2 TOP CAP GALV. A60 ASTM A924	.020" MIN. STL	0.5" X 1.76" X 48" MAX.
25	2 IVES 360 12" SURFACE BOLT		
26	1 ASA STRIKE		
27	1 Z-ASTRAGAL	.067" MIN. STL	MAX. 95.5
28	1 HOLLOW METAL MULLION (SINGLE OR DOUBLE RABBET)	SEE SHEET 9	MAX. 96"
29	1 IVES 698/U698 DOOR VIEWER	BRASS	

- NOTES:
- ANCHOR REQUIREMENTS: SEE SHEETS 4 & 17 FOR APPROVED ANCHORS AND INSTALLATION REQUIREMENTS. SEE SHEETS 15 & 16 FOR MULLION INSTALLATION.
 - HINGE REQUIREMENTS: FOR DOOR OPENING UP TO 90" HIGH - MIN. (3) BUTT HINGES FOR DOOR OPENING OVER 90" - 96" HIGH - MIN. (4) BUTT HINGES LOCATIONS: 9.75" FROM RABBET IN HEAD TO CL OF TOP HINGE 10.38" FROM FLOOR TO CL OF BOTTOM HINGE, EQUALLY SPACED IN BETWEEN. HINGE LOCATIONS MAY VARY, MAX SPACING NOT TO EXCEED 35.5" FOR THREE HINGES. FOR APPROVED CONTINUOUS HINGE MODELS SEE SHEET 16.
 - SEE SHEETS 1, 2 & 9 FOR AVAILABLE STANDARD OPENING SIZES AND SPECIFICATIONS.
 - HARDWARE INSTALLATION AS PER MANUFACTURER'S INSTRUCTIONS.
 - 4" FACE FRAME HEAD IS AVAILABLE. SEE SHEETS 4 AND 17.
 - APPLY CAULK TO FULL LENGTH OF SILL AND ENTIRE PERIMETER OF FRAME. SEE SHEETS 5, 6, 7, & 8.
 - SEE SHEET 13 FOR HORIZONTAL SECTION A-A, SEE SHEET 14 FOR VERTICAL SECTIONS B-B AND C-C.
 - EXIT HARDWARE OPTIONS: FOR 98/99 & XP98/99 SERIES - FUNCTIONS E, QEL, RX, LX, SS, EL, CX, F TRIM: ALL APPLICABLE TRIMS AVAILABLE. FOR 88-F SERIES - FUNCTION E TRIM: ALL APPLICABLE TRIMS AVAILABLE. PN MODEL OFFERED. FOR 2670 GUARD-X TRIM: ALL APPLICABLE TRIMS AVAILABLE. FOR 25-R, 25-C & 25-V SERIES - FUNCTIONS DM,LM, KOR, ED, EL, EA, FSA, FSE, HWEA TRIM: ALL APPLICABLE TRIMS AVAILABLE
 - PN MODEL OFFERED.
 - ELECTRICAL INSTALLATION AND FIR RATINGS ARE UNDER SEPARATE APPROVAL AND MUST BE REVIEWED BY CORRESPONDING AUTHORITY.
 - OPTIONAL POWER TRANSFERS, MONITORING SWITCHES, SUPPLEMENTARY MAGNETIC LOCKS MAY BE USED AS ALLOWED BY CODE AND IT DOES NOT EFFECT THE MECHANICAL PROPERTIES OF EXIT DEVICE AND/OR INHIBIT EGRESS, TO BE REVIEWED BY BUILDING OFFICIAL.
 - WEATHERSTRIPPING: - WHEN WATER INFILTRATION IS REQUIRED INSTALL PER SHEETS 5 OR 6 AS APPLICABLE - WHEN WATER INFILTRATION IS NOT REQUIRED INSTALL PER SHEETS 7 OR 8 AS APPLICABLE
 - SILL SHALL BE ANCHORED PER INSTALLATION DETAIL ON THIS SHEET AND SHEETS 4 & 17.
 - GASKETING QUANTITY WILL INCREASE WHEN USED WITH HOLLOW METAL MULLION. SEE SHEET 6, 7 & 8 FOR DETAILS.

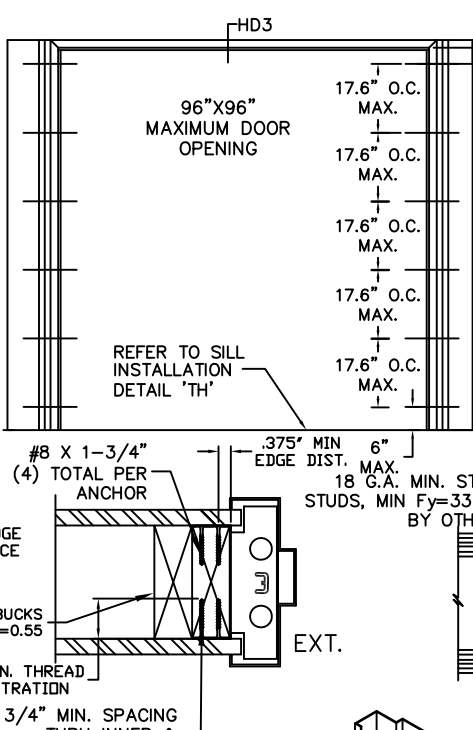


BEND RADIUS		SCHLAGE LOCK COMPANY, LLC 11819 N. PENNSYLVANIA STREET CARMEL, IN 46032	
THIRD ANGLE PROJECTION		TITLE: STEELCRAFT H SERIES DOUBLE FLUSH OUTSWING COMMERCIAL STEEL DOORS WITH AND WITHOUT PANIC EXIT DEVICES	
DRAWN YMF	DATE 05/20/07	FLORIDA BUILDING COMMISSION PRODUCT APPROVAL H SERIES FLUSH DOUBLE DOORS OUTSWING CONFIGURATIONS	
CHECKED		SIZE	FLAT
APPROVED		DWG NO.	IRF D07
ENG. APPVL JPD	10/12/07	SCALE:	NTS AUTOCAD
		SHEET	3 OF 17

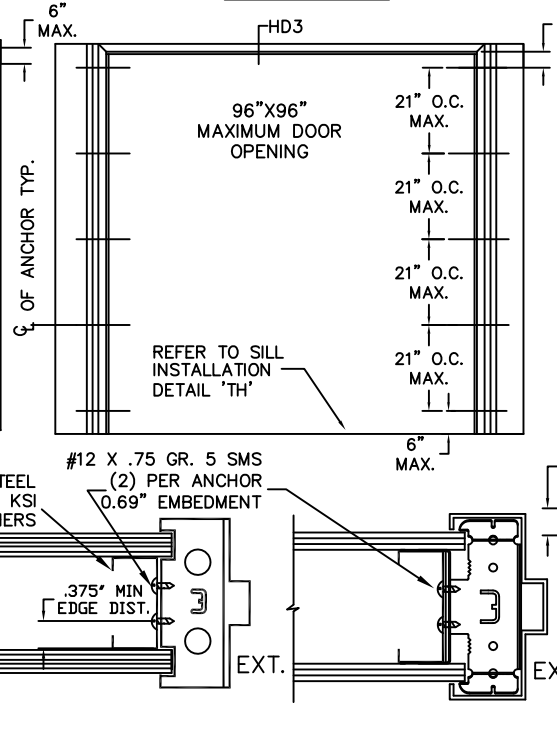
A WIRE OR T MASONRY ANCHOR INTO GROUT FILLED FRAME AND BLOCK WALL UP TO 75 PSF



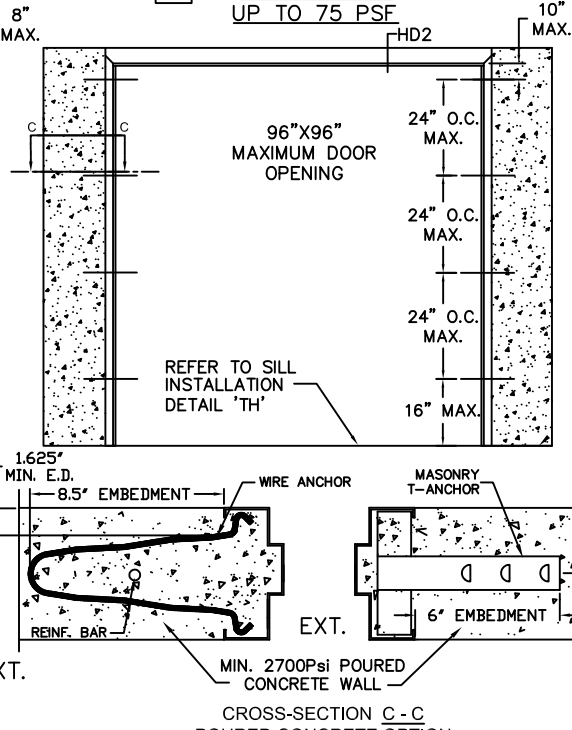
B WOOD STUD ANCHOR UP TO 75 PSF



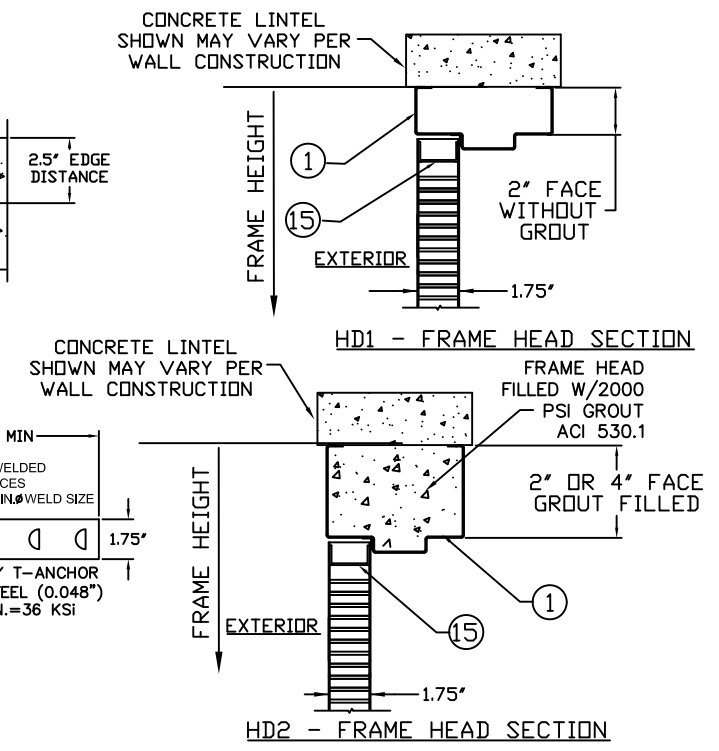
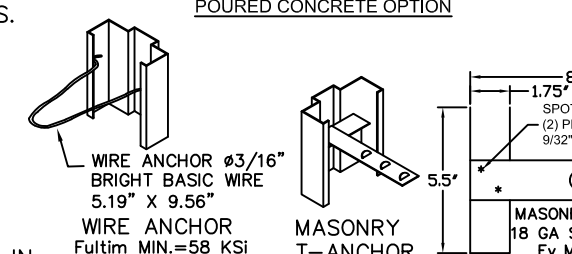
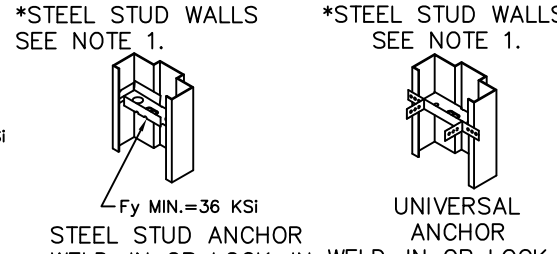
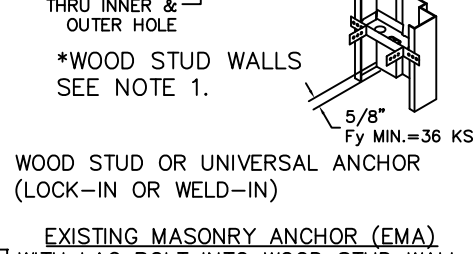
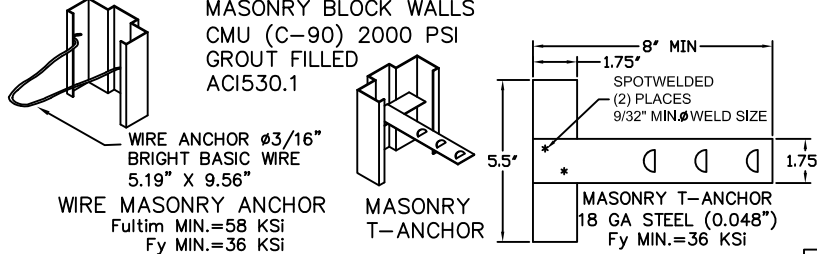
C STEEL STUD ANCHOR UP TO 75 PSF



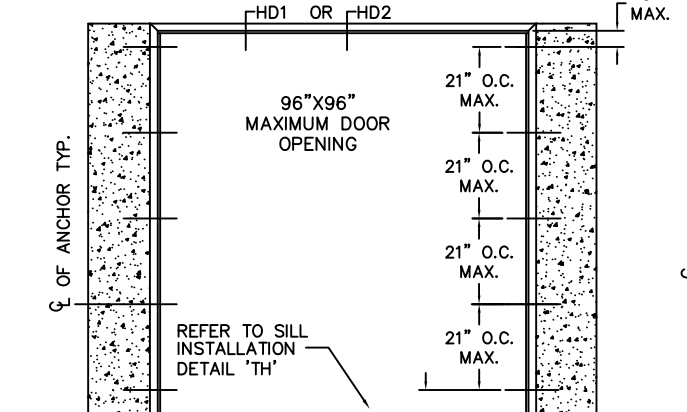
F POURED CONCRETE TILT UP WALL UP TO 75 PSF



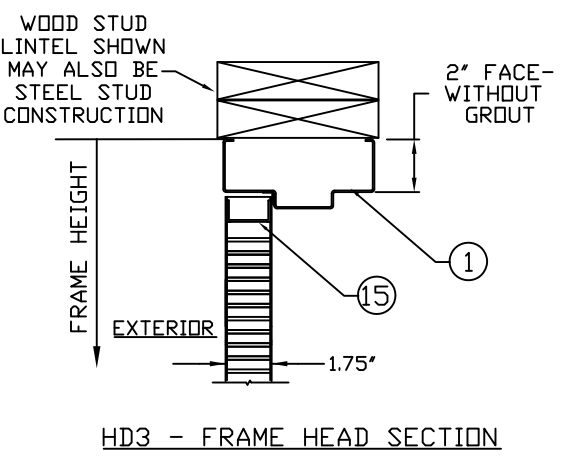
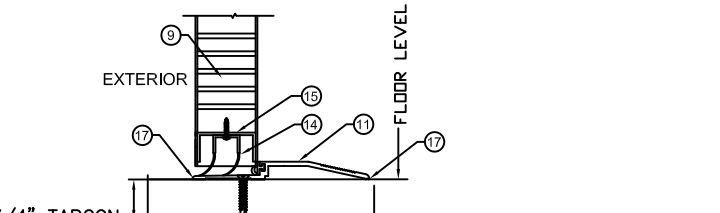
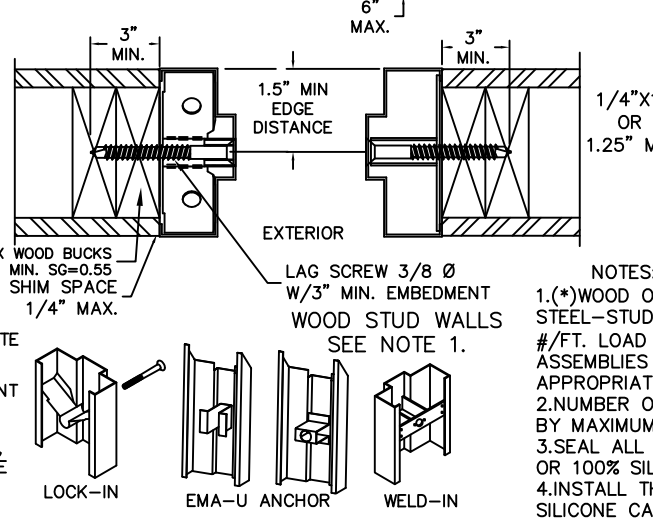
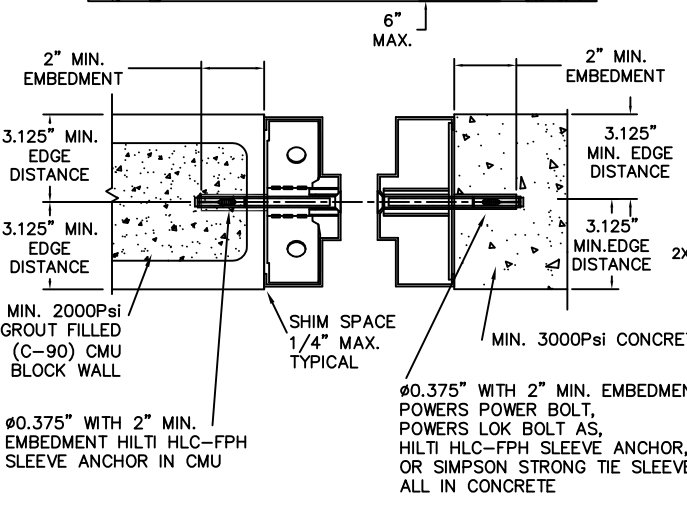
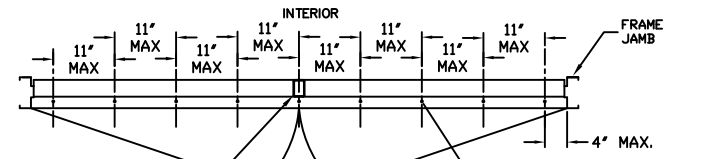
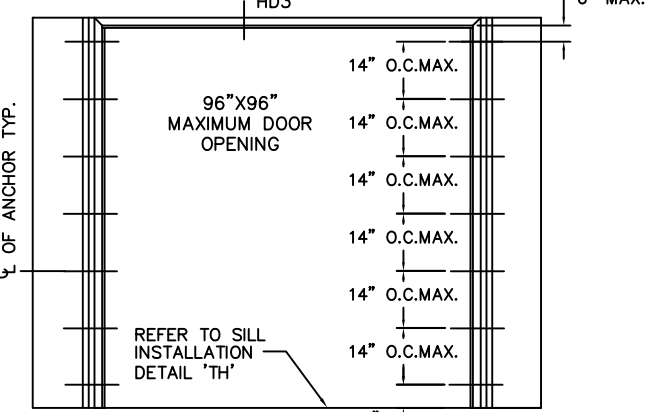
REVISIONS				
LTR	DESCRIPTION	DATE	APPROVED	
D	REVISED DWG	YMF	01/17/08	
F	REVISED DWG	YMF	05/30/08	
G	REVISED PER_MDBCCD	YMF	02/06/09	
H	REVISED DWG	YMF	03/18/09	
J	REVISED DWG	YMF	04/06/10	
K	REVISED NAME	JPD	11/01/13	
L	REVISED DWG	JPD	02/01/15	
M	REVISED DWG	JPD	06/30/15	
N	ENGINEER CHANGE	AM	12/01/16	
O	REVISED DWG	JPD	07/18/18	



D EXISTING MASONRY ANCHOR (EMA) INTO CONCRETE WALL OR CMU UP TO 75 PSF



E EXISTING MASONRY ANCHOR (EMA) WITH LAG BOLT INTO WOOD STUD WALL UP TO 75 PSF



- NOTES:
- (*)WOOD OR (*)STEEL STRUCTURAL MEMBERS OF WOOD AND STEEL-STUD WALLS MUST BE DESIGNED TO CARRY AT LEAST 312 #/FT. LOAD FOR ASSEMBLIES RATED @75 PSF, AND 375#/FT. FOR ASSEMBLIES RATED @ 90 PSF, WHICH SHOULD BE VERIFIED BY THE APPROPRIATE OFFICIAL.
 - NUMBER OF ANCHORS FOR VARIOUS OPENING HEIGHTS IS LIMITED BY MAXIMUM DISTANCE BETWEEN ANCHORS, SHOWN ON THIS SHEET.
 - SEAL ALL JOINTS WHERE FRAME MEETS WALL WITH BUTYL RUBBER OR 100% SILICONE CAULK.
 - INSTALL THRESHOLD INTO BEAD OF BUTYL RUBBER OR 100% SILICONE CAULK FULL LENGTH OF SILL.

BEND RADIUS		SCHLAGE LOCK COMPANY, LLC 11819 N. PENNSYLVANIA STREET CARMEL, IN 46032	
THIRD ANGLE PROJECTION		TITLE: STEELCRAFT H SERIES DOUBLE FLUSH OUTSWING COMMERCIAL STEEL DOORS WITH AND WITHOUT PANIC EXIT DEVICES	
DRAWN YMF	DATE 05/20/07	ANCHOR DETAILS / INSTALLATION CONDITIONS FOR ASSEMBLIES WITH A DESIGN PRESSURE RATING OF 75 PSF OR LESS	
CHECKED		SIZE FLAT	DWG NO. IRFD07
APPROVED		SCALE NTS	REV 0
ENG. APPVL JPD	10/12/07	AUTOCAD	SHEET 4 OF 17

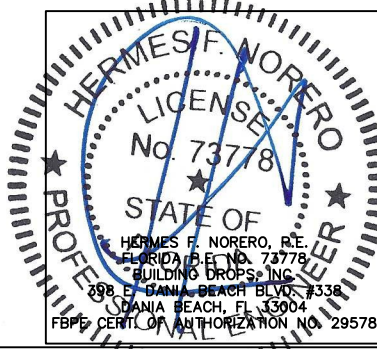
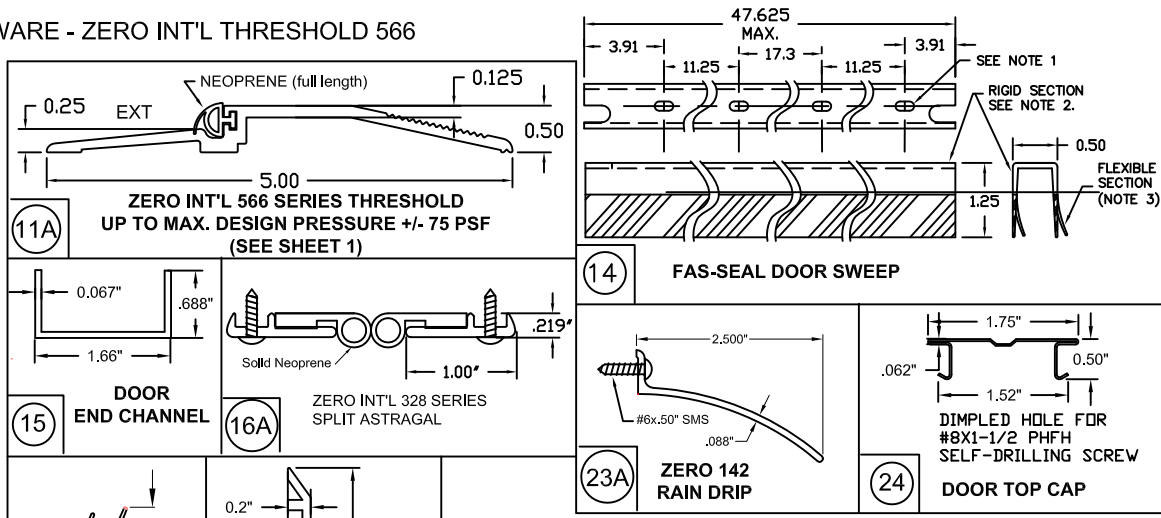


TABLE 3.1 WATER RATED PERIMETER SEAL HARDWARE - ZERO INT'L THRESHOLD 566

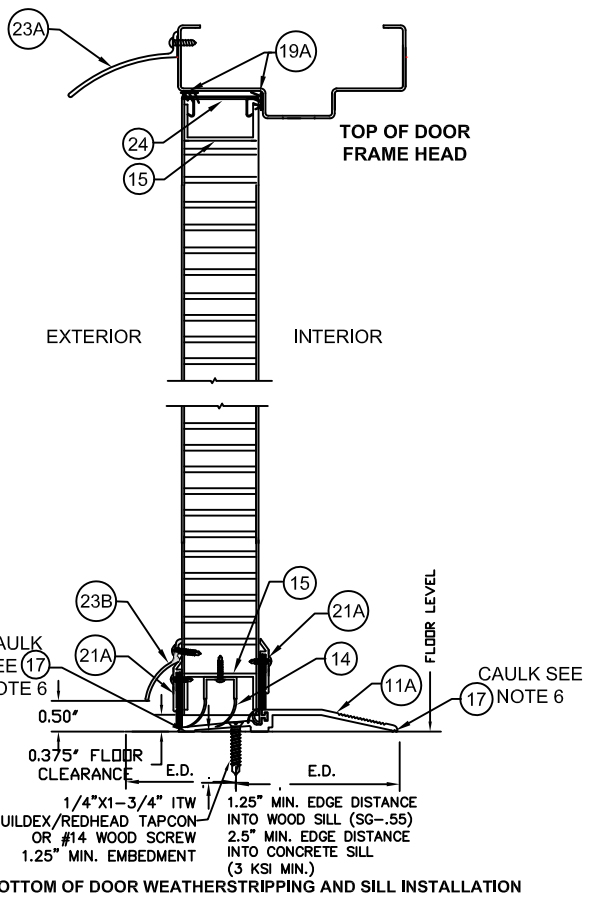
ITEM NUMBER	MODEL No./ DESCRIPTION	MFG.
11A	566 THRESHOLD	ZERO INT'L
14	FAS-SEAL SWEEP	STEELCRAFT
15	END CHANNEL	STEELCRAFT
16A	328 SPLIT ASTRAGAL	ZERO INT'L
19A	8150S DOOR SEAL	ZERO INT'L
21A	139 DOOR SWEEP	ZERO INT'L
23A	142 RAIN DRIP	ZERO INT'L
23B	11 RAIN DRIP	ZERO INT'L
24	DOOR TOP CAP	STEELCRAFT

ZERO INT'L 566 THRESHOLD GASKETING SYSTEM REQUIREMENTS FOR WATER INFILTRATION - MAXIMUM DESIGN PRESSURE RATING 75PSF - (SEE ELEVATIONS SHEET 1)



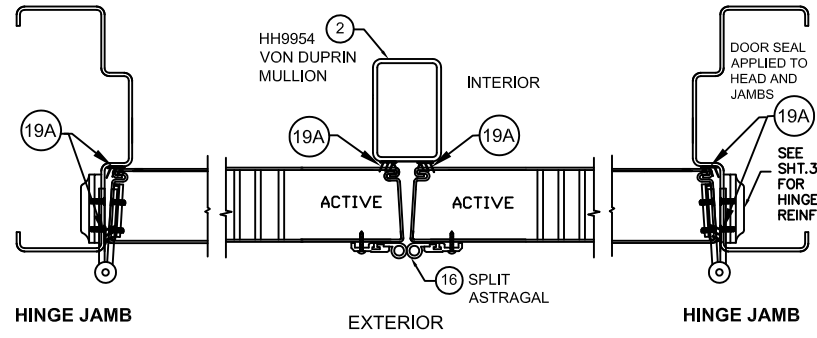
ZERO INT'L 566 THRESHOLD GASKETING SYSTEM REQUIREMENTS FOR WATER INFILTRATION - MAXIMUM DESIGN PRESSURE RATING 75PSF - (SEE ELEVATIONS SHEET 1)

FOR CONFIGURATIONS: 5, 6, 9, & 11 (SEE ELEVATIONS SHEET 1)



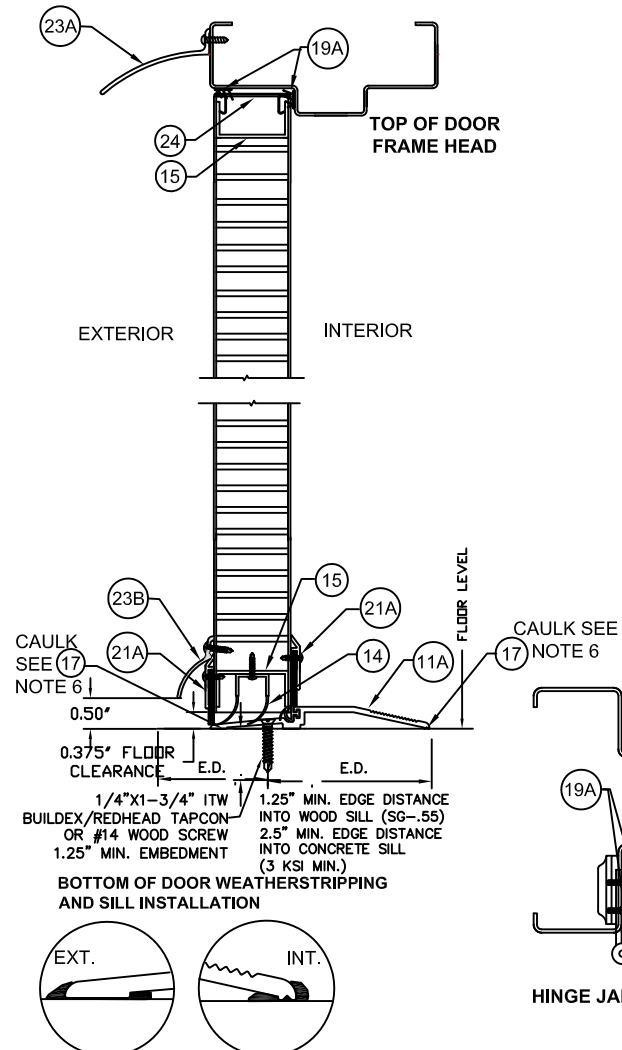
TYPICAL THRESHOLD SET INTO BEAD OF CAULK SEE NOTE 6

NOTES:
 1. SLOT LOCATIONS MAY VARY WITH DIFFERENT DOOR WIDTH.
 2. DOOR SWEEP RIGID SECTION IS MADE OF PRO-FAX #PD-199 POLYPROPYLENE HOMOPOLYMER.
 3. DOOR SWEEP FLEXIBLE SECTION IS MADE OF SANTOPRENE #101-73
 4. FAS-SEAL DOOR SWEEP (14), AND THRESHOLD (11A) ARE REQUIRED FOR ALL INSTALLATIONS.
 5. SEAL ALL JOINTS WHERE FRAME MEETS WALL WITH BUTYL RUBBER OR 100% SILICONE CAULK
 6. INSTALL THRESHOLD INTO BEAD OF BUTYL RUBBER OR 100% SILICONE CAULK FULL LENGTH OF SILL



ZERO INT'L 566 THRESHOLD GASKETING SYSTEM REQUIREMENTS FOR WATER INFILTRATION - MAXIMUM DESIGN PRESSURE RATING 75PSF - (SEE ELEVATIONS SHEET 1)

FOR CONFIGURATIONS: 7 & 8 (SEE ELEVATIONS SHEET 1)

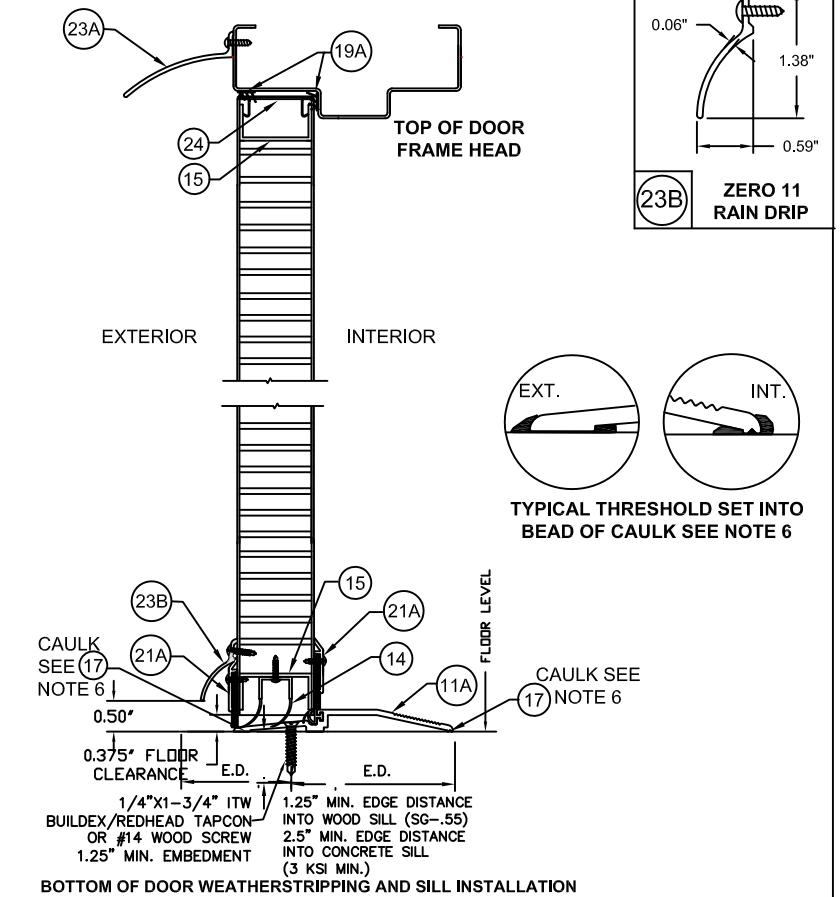


TYPICAL THRESHOLD SET INTO BEAD OF CAULK SEE NOTE 6

NOTES:
 1. SLOT LOCATIONS MAY VARY WITH DIFFERENT DOOR WIDTH.
 2. DOOR SWEEP RIGID SECTION IS MADE OF PRO-FAX #PD-199 POLYPROPYLENE HOMOPOLYMER.
 3. DOOR SWEEP FLEXIBLE SECTION IS MADE OF SANTOPRENE #101-73
 4. FAS-SEAL DOOR SWEEP (14), AND THRESHOLD (11A) ARE REQUIRED FOR ALL INSTALLATIONS.
 5. SEAL ALL JOINTS WHERE FRAME MEETS WALL WITH BUTYL RUBBER OR 100% SILICONE CAULK
 6. INSTALL THRESHOLD INTO BEAD OF BUTYL RUBBER OR 100% SILICONE CAULK FULL LENGTH OF SILL

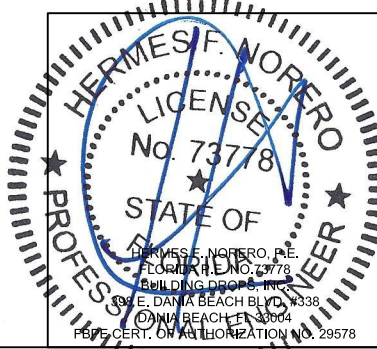
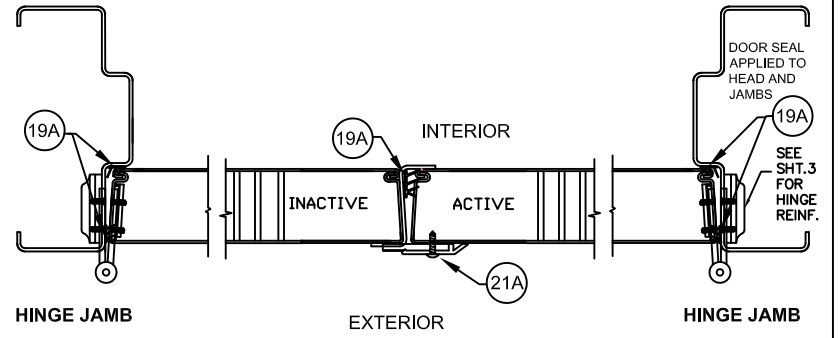
REVISIONS				
LTR	DESCRIPTION	DATE	APPROVED	
A	APPROVAL DWG	YMF	05/20/07	
E	REVISED DWG	YMF	04/09/08	
F	REVISED DWG	YMF	06/02/08	
G	REVISED DWG	YMF	02/06/09	
H	REVISED DWG	YMF	03/18/09	
J	REVISED DWG	YMF	04/06/10	
K	REVISED NAME	JPD	11/01/13	
L	REVISED DWG	JPD	02/01/15	
M	REVISED DWG	JPD	06/30/15	
N	ENGINEER CHANGE	AM	12/01/16	
D	REVISION	JPD	07/18/18	

FOR CONFIGURATIONS: 1, 1A, 2, 3 & 4 (SEE ELEVATIONS SHEET 1)



TYPICAL THRESHOLD SET INTO BEAD OF CAULK SEE NOTE 6

NOTES:
 1. SLOT LOCATIONS MAY VARY WITH DIFFERENT DOOR WIDTH.
 2. DOOR SWEEP RIGID SECTION IS MADE OF PRO-FAX #PD-199 POLYPROPYLENE HOMOPOLYMER.
 3. DOOR SWEEP FLEXIBLE SECTION IS MADE OF SANTOPRENE #101-73
 4. FAS-SEAL DOOR SWEEP (14), AND THRESHOLD (11A) ARE REQUIRED FOR ALL INSTALLATIONS.
 5. SEAL ALL JOINTS WHERE FRAME MEETS WALL WITH BUTYL RUBBER OR 100% SILICONE CAULK
 6. INSTALL THRESHOLD INTO BEAD OF BUTYL RUBBER OR 100% SILICONE CAULK FULL LENGTH OF SILL

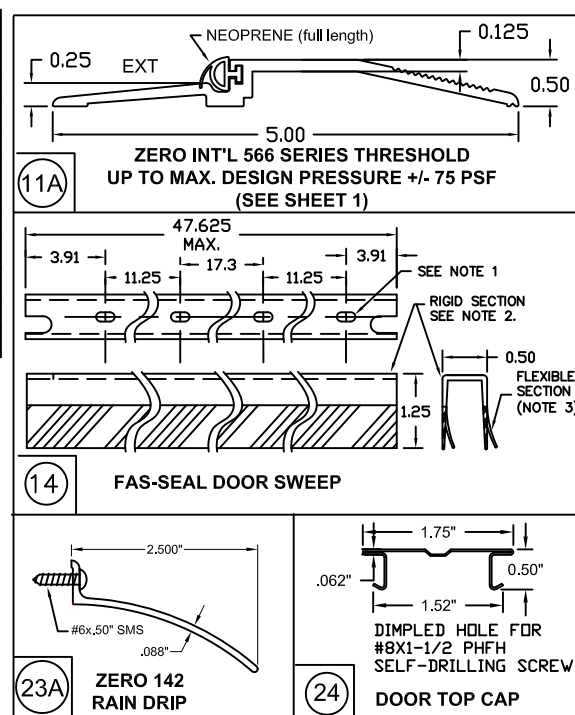


BEND RADIUS		SCHLAGE LOCK COMPANY, LLC 11819 N. PENNSYLVANIA STREET CARMEL, IN 46032	
THIRD ANGLE PROJECTION		TITLE: STEELCRAFT H SERIES DOUBLE FLUSH OUTSWING COMMERCIAL STEEL DOORS WITH AND WITHOUT PANIC EXIT DEVICES	
DRAWN YMF	DATE 05/20/07	DOUBLE FLUSH DOOR PERIMETER SEAL HARDWARE APPROVED WHERE WATER INFILTRATION IS REQUIRED	
CHECKED		SIZE FLAT	DWG NO. IRFD07
APPROVED		SCALE NTS	AUTOCAD
ENG. APPVL JPD	10/11/07	SHEET 5 of 17	REV 0

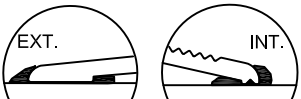
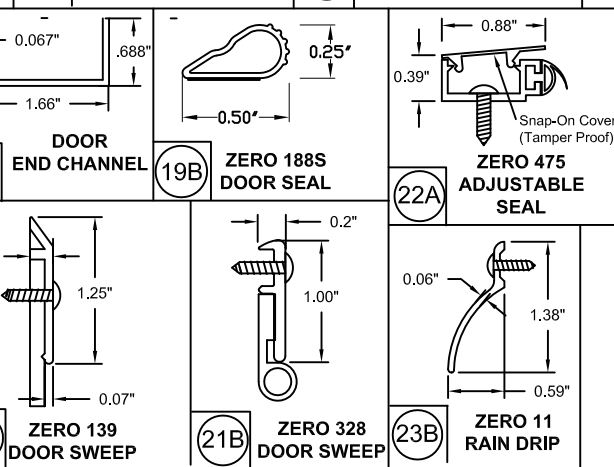
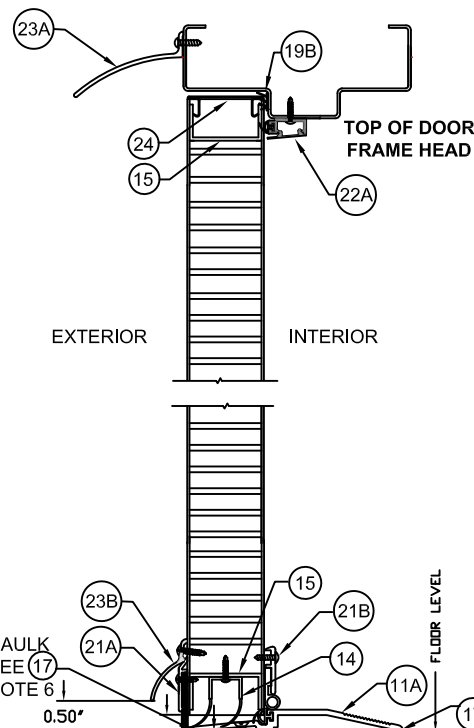
TABLE 3.2 WATER RATED PERIMETER SEAL HARDWARE - ZERO INT'L THRESHOLD 566

ITEM NUMBER	MODEL No./ DESCRIPTION	MFG.
11A	566 THRESHOLD	ZERO INT'L
14	FAS-SEAL SWEEP	STEELCRAFT
15	END CHANNEL	STEELCRAFT
19B	188S DOOR SEAL	ZERO INT'L
21A	139 DOOR SWEEP	ZERO INT'L
21B	328 DOOR SWEEP	ZERO INT'L
22A	475 ADJUSTABLE SEAL	ZERO INT'L
23A	142 RAIN DRIP	ZERO INT'L
23B	11 RAIN DRIP	ZERO INT'L
24	DOOR TOP CAP	STEELCRAFT

ZERO INT'L 566 THRESHOLD GASKETING SYSTEM REQUIREMENTS FOR WATER INFILTRATION - MAXIMUM DESIGN PRESSURE RATING 70 PSF - (SEE CONFIGURATION 10, ELEVATIONS SHEET 1)



FOR CONFIGURATION: 10 (SEE ELEVATIONS SHEET 1)



TYPICAL THRESHOLD SET INTO BEAD OF CAULK SEE NOTE 6



TYPICAL THRESHOLD SET INTO BEAD OF CAULK SEE NOTE 6

BOTTOM OF DOOR WEATHERSTRIPPING AND SILL INSTALLATION
 1/4"x1-3/4" ITW BUILDEX/REDHEAD TAPCON OR #14 WOOD SCREW 1.25" MIN. EMBEDMENT
 1.25" MIN. EDGE DISTANCE INTO WOOD SILL (SG-.55) 2.5" MIN. EDGE DISTANCE INTO CONCRETE SILL (3 KSI MIN.)
 APPLIED TO THE SOFFIT AREA OF HINGE JAMBS, BUTT AGAINST CLOSED DOOR

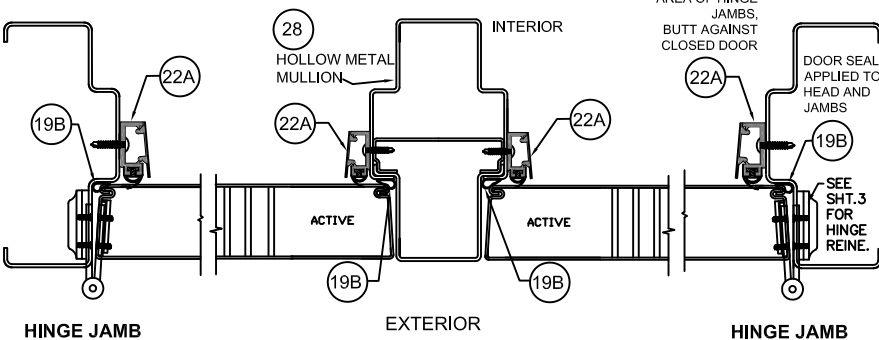
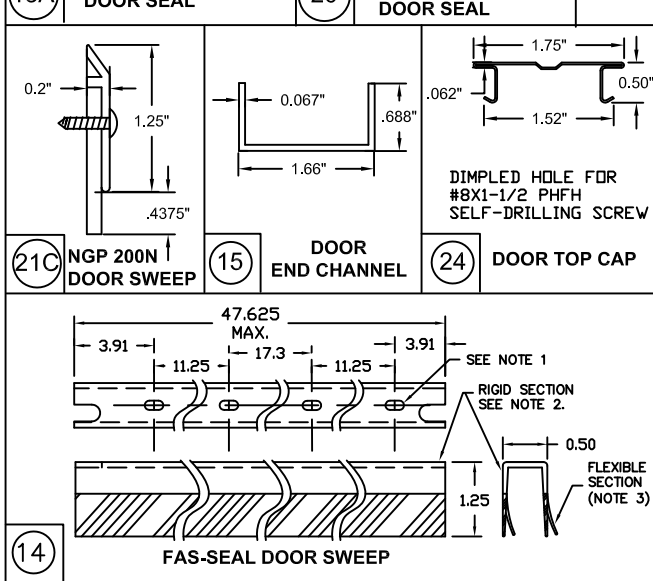
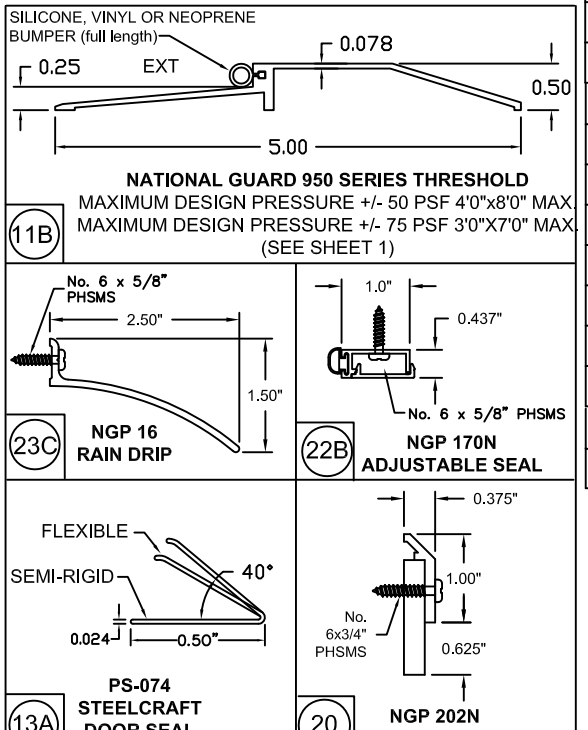


TABLE 3.3 WATER RATED PERIMETER SEAL HARDWARE - NGP THRESHOLD 950

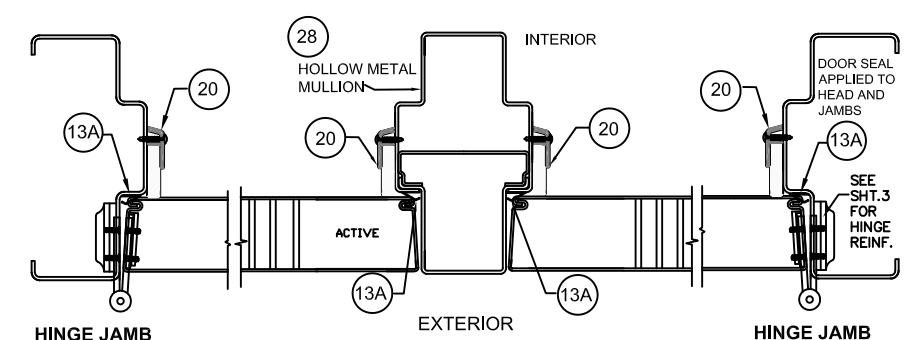
ITEM NUMBER	MODEL No./ DESCRIPTION	MFG.
11B	950 THRESHOLD	NGP
14	FAS-SEAL SWEEP	STEELCRAFT
15	END CHANNEL	STEELCRAFT
13A	PS074 DOOR SEAL	STEELCRAFT
20	202N DOOR SEAL	NGP
21C	200N DOOR SWEEP	NGP
22B	170N ADJUSTABLE SEAL	NGP
23C	16A RAIN DRIP	NGP
24	DOOR TOP CAP	STEELCRAFT

NGP 950 THRESHOLD GASKETING SYSTEM REQUIREMENTS FOR WATER INFILTRATION - MAXIMUM DESIGN PRESSURE RATING ±70 PSF FOR MAXIMUM DOOR SIZE OF 3'-0" X 7'-0" MAXIMUM DESIGN PRESSURE +50/-70 PSF FOR MAXIMUM DOOR SIZE OF 4'-0" X 8'-0" (SEE CONFIGURATION 10, ELEVATIONS SHEET 1)

FOR CONFIGURATION: 10 (SEE ELEVATIONS SHEET 1)

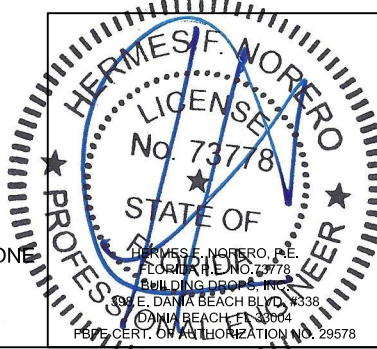


BOTTOM OF DOOR WEATHERSTRIPPING AND SILL INSTALLATION
 1/4"x1-3/4" ITW BUILDEX/REDHEAD TAPCON OR #14 WOOD SCREW 1.25" MIN. EMBEDMENT
 1.25" MIN. EDGE DISTANCE INTO WOOD SILL (SG-.55) 2.5" MIN. EDGE DISTANCE INTO CONCRETE SILL (3 KSI MIN.)



REVISIONS				
LTR	DESCRIPTION	DATE	APPROVED	
A	REVISED DWG	YMF	05/20/07	
E	REVISED DWG	YMF	04/09/08	
F	REVISED DWG	YMF	06/02/08	
G	REVISED DWG	YMF	02/06/09	
H	REVISED DWG	YMF	03/18/09	
J	REVISED DWG	YMF	04/06/10	
K	REVISED DWG	JPD	11/01/13	
L	REVISED NAME	JPD	02/01/15	
M	REVISED DWG	JPD	06/30/16	
N	ENGINEER CHANGE	AM	12/01/17	
Q	REVISED DWG	JPD	07/18/18	

- NOTES:**
1. SLOT LOCATIONS MAY VARY WITH DIFFERENT DOOR WIDTH.
 2. DOOR SWEEP RIGID SECTION IS MADE OF PRO-FAX #PD-199 POLYPROPYLENE HOMOPOLYMER.
 3. DOOR SWEEP FLEXIBLE SECTION IS MADE OF SANTOPRENE #101-73
 4. FAS-SEAL DOOR SWEEP (14), AND THRESHOLD (11A OR 11B) AS APPLICABLE ARE REQUIRED FOR ALL INSTALLATIONS.
 5. SEAL ALL JOINTS WHERE FRAME MEETS WALL WITH BUTYL RUBBER OR 100% SILICONE CAULK
 6. INSTALL THRESHOLD INTO BEAD OF BUTYL RUBBER OR 100% SILICONE CAULK FULL LENGTH OF SILL

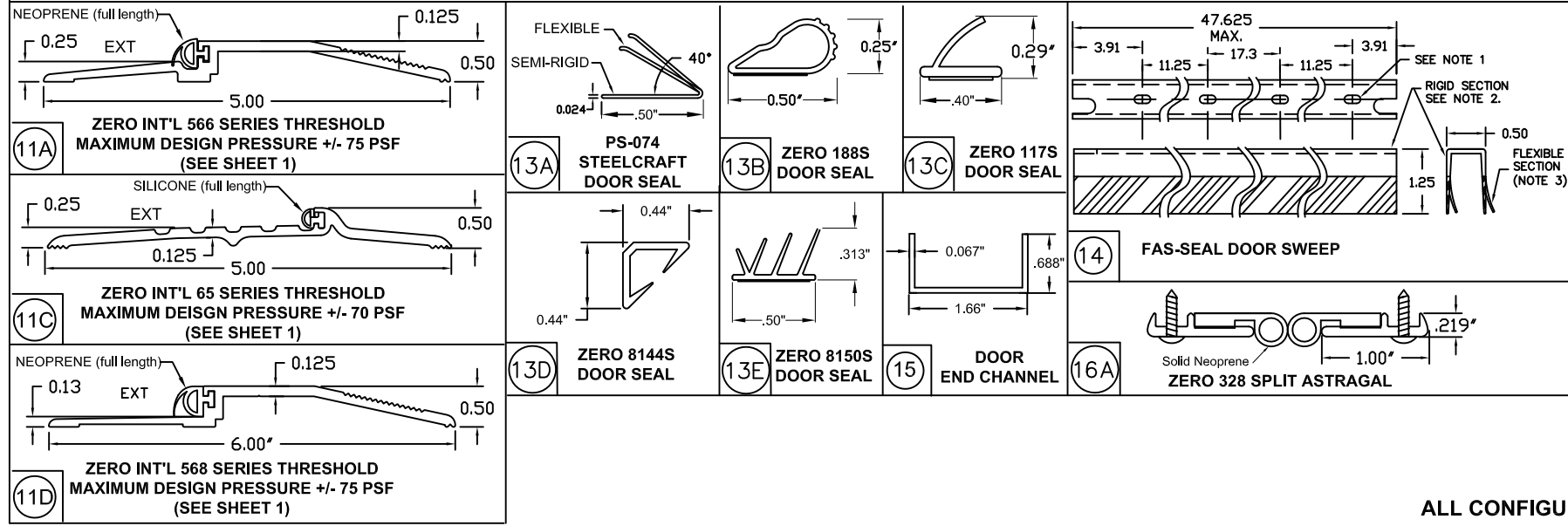


BEND RADIUS	SCHLAGE LOCK COMPANY, LLC 11819 N. PENNSYLVANIA STREET CARMEL, IN 46032		
THIRD ANGLE PROJECTION	TITLE: STEELCRAFT H SERIES DOUBLE FLUSH OUTSWING COMMERCIAL STEEL DOORS WITH AND WITHOUT PANIC EXIT DEVICES		
DRAWN YMF	DATE 05/20/07	DOUBLE FLUSH DOOR PERIMETER SEAL HARDWARE APPROVED WHERE WATER INFILTRATION IS REQUIRED	
CHECKED		SIZE FLAT	DWG NO. IRFD07
APPROVED		SCALE NTS	REVISIONS REV 0
ENG. APPVL JPD	DATE 10/11/07	AUTOCAD	SHEET 6 of 17

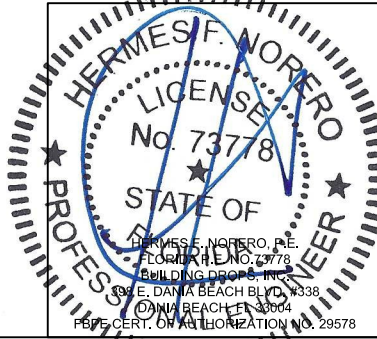
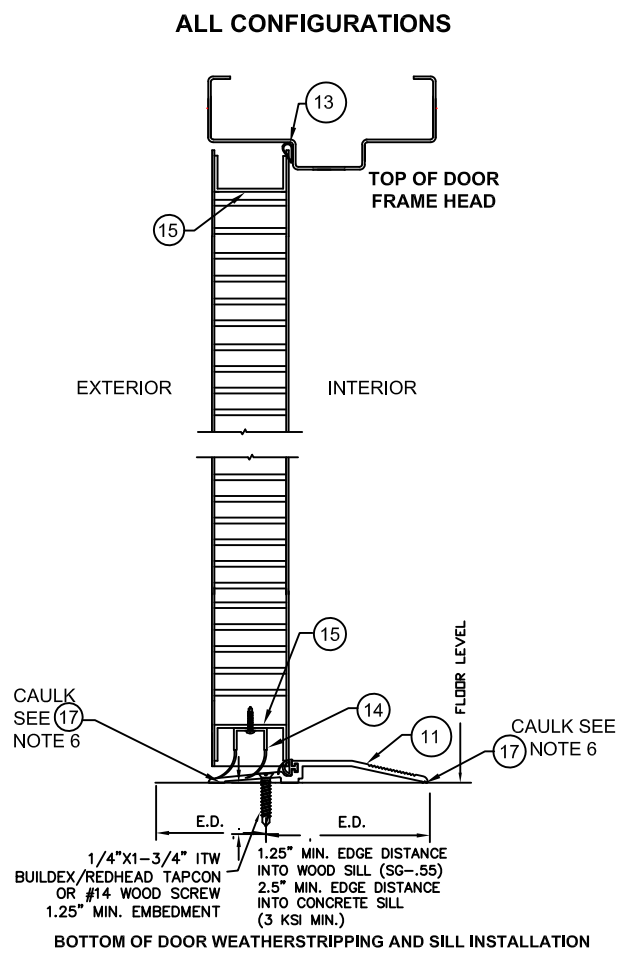
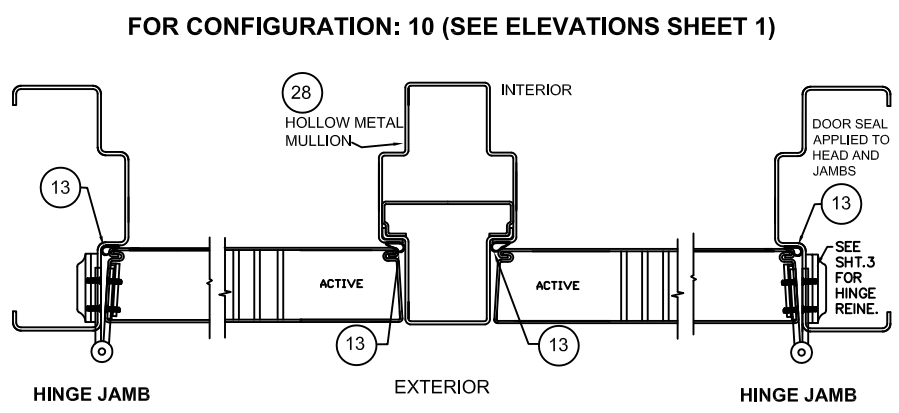
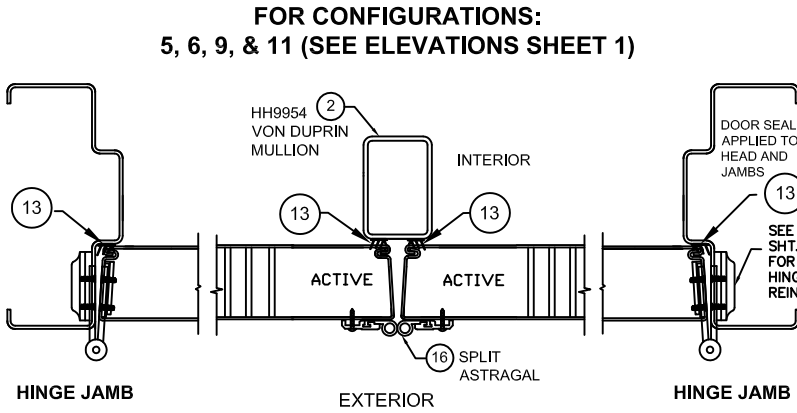
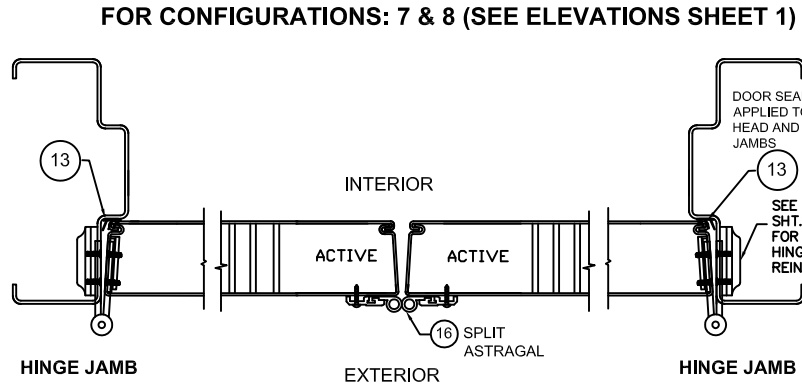
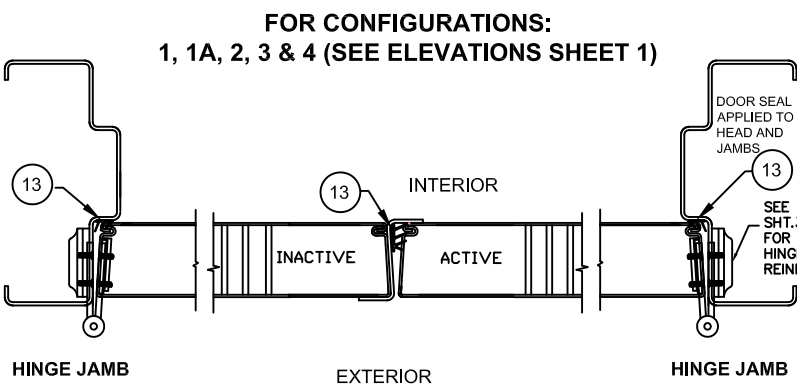
TABLE 4.1 NON WATER RATED PERIMETER SEAL HARDWARE - ZERO INT'L THRESHOLDS

ITEM NUMBER	MODEL No./ DESCRIPTION	MFG.
11	11A 566 THRESHOLD	ZERO INT'L
	11C 65 THRESHOLD	ZERO INT'L
	11D 568 THRESHOLD	ZERO INT'L
13	13A PS074 DOOR SEAL	STEELCRAFT
	13B 188S DOOR SEAL	ZERO INT'L
	13C 117S DOOR SEAL	ZERO INT'L
	13D 8144S DOOR SEAL	ZERO INT'L
	13E 8150S DOOR SEAL	ZERO INT'L
14	FAS-SEAL SWEEP	STEELCRAFT
15	END CHANNEL	STEELCRAFT
16A	328 SPLIT ASTRAGAL	ZERO INT'L

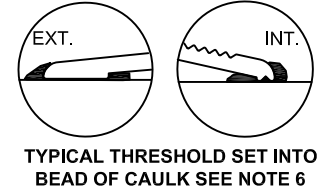
ZERO INT'L 566, 65 AND 568 THRESHOLD GASKETING SYSTEM REQUIREMENTS WHEN WATER INFILTRATION IS NOT REQUIRED
 MAXIMUM DESIGN PRESSURE RATING 75 PSF - EXCEPT CONFIGURATION 10 LIMITED TO 70 PSF
 MAXIMUM DOOR SIZE 4'-0" X 8'-0"
 (SEE ELEVATIONS SHEET 1)



REVISIONS				
LTR	DESCRIPTION	DATE	APPROVED	
A	APPROVAL DWG	YMF	05/20/07	
E	REVISED DWG	YMF	04/09/08	
F	REVISED DWG	YMF	06/02/08	
G	REVISED DWG	YMF	02/06/09	
H	REVISED DWG	YMF	03/18/09	
J	REVISED DWG	YMF	04/06/10	
K	REVISED NAME	JPD	11/01/13	
L	REVISED DWG	JPD	02/01/15	
M	REVISED DWG	JPD	06/30/15	
N	ENGINEER CHANGE	AM	12/01/16	
O	REVISED DWG	JPD	07/18/18	



- NOTES:**
1. SLOT LOCATIONS MAY VARY WITH DIFFERENT DOOR WIDTH.
 2. DOOR SWEEP RIGID SECTION IS MADE OF PRO-FAX #PD-199 POLYPROPYLENE HOMOPOLYMER.
 3. DOOR SWEEP FLEXIBLE SECTION IS MADE OF SANTOPRENE #101-73
 4. FAS-SEAL DOOR SWEEP (14), DOOR SEAL (13A, 13B, 13C, 13D, 13E) AND THRESHOLD (11A, 11C, 11D) AS APPLICABLE, ARE REQUIRED FOR ALL INSTALLATIONS.
 5. SEAL ALL JOINTS WHERE FRAME MEETS WALL WITH BUTYL RUBBER OR 100% SILICONE CAULK
 6. INSTALL THRESHOLD INTO BEAD OF BUTYL RUBBER OR 100% SILICONE CAULK FULL LENGTH OF SILL

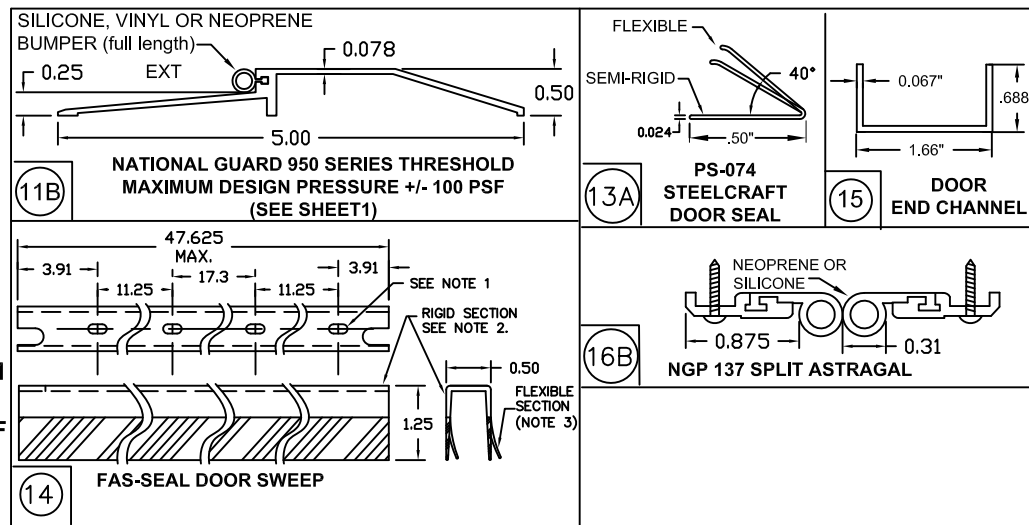


BEND RADIUS		SCHLAGE LOCK COMPANY, LLC 11819 N. PENNSYLVANIA STREET CARMEL, IN 46032	
THIRD ANGLE PROJECTION		TITLE: STEELCRAFT H SERIES DOUBLE FLUSH OUTSWING COMMERCIAL STEEL DOORS WITH AND WITHOUT PANIC EXIT DEVICES	
DRAWN YMF	DATE 05/20/07	DOUBLE FLUSH DOOR PERIMETER SEAL ZERO INT'L HARDWARE APPROVED WHERE WATER INFILTRATION IS NOT REQUIRED	
CHECKED		SIZE FLAT	DWG NO. IRFD07
APPROVED		SCALE: NTS	AUTOCAD
ENG. APPVL JPD	DATE 10/11/07	SHEET 7 of 17	REV □

TABLE 4.2 NON WATER RATED PERIMETER SEAL HARDWARE - NGP THRESHOLD

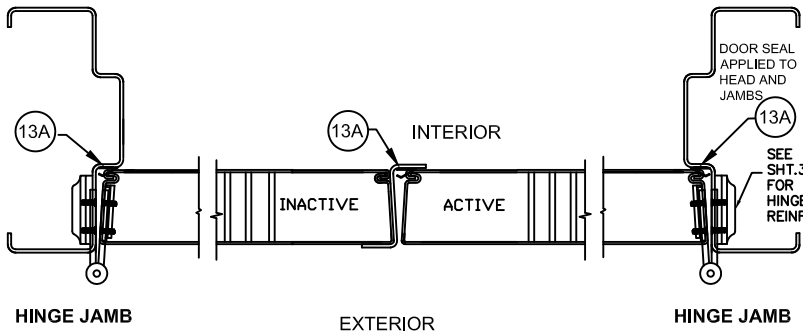
ITEM NUMBER	MODEL No./ DESCRIPTION	MFG.
11B	950 THRESHOLD	NGP
13A	PS074 DOOR SEAL	STEELCRAFT
14	FAS-SEAL SWEEP	STEELCRAFT
15	END CHANNEL	STEELCRAFT
16B	137 SPLIT ASTRAGAL	NGP

NGP 950 THRESHOLD GASKETING SYSTEM REQUIREMENTS WHEN WATER INFILTRATION IS NOT REQUIRED - MAXIMUM DESIGN PRESSURE 90 PSF FOR MAXIMUM DOOR SIZE OF 4'-0" X 8'-0" EXCEPT CONFIGURATION 10 LIMITED TO MAX 70 PSF (SEE ELEVATIONS SHEET 1)

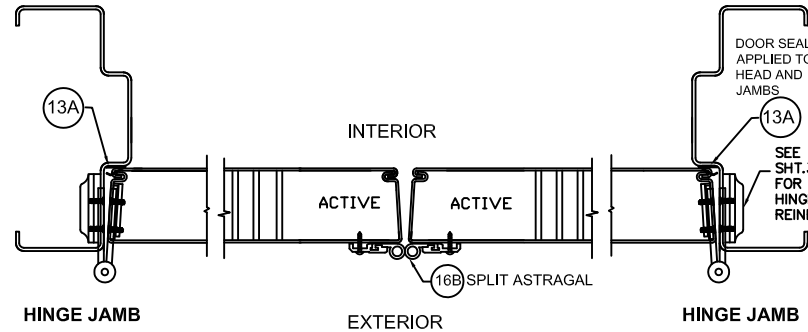


REVISIONS				
LTR	DESCRIPTION	DATE	APPROVED	
A	APPROVAL DWG	YMF	05/20/07	
E	REVISED DWG	YMF	04/09/08	
F	REVISED DWG	YMF	06/02/08	
G	REVISED DWG	YMF	02/06/09	
H	REVISED DWG	YMF	03/18/09	
J	REVISED DWG	YMF	04/06/10	
K	REVISED NAME	JPD	11/01/13	
L	REVISED DWG	JPD	02/01/15	
M	REVISED DWG	JPD	06/30/15	
N	ENGINEER CHANGE	AM	12/01/16	
D	REVISED DWG	JPD	07/18/18	

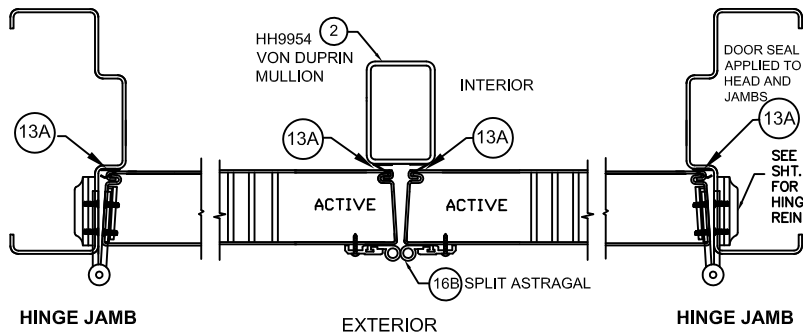
FOR CONFIGURATIONS: 1, 1A, 2, 3 & 4 (SEE ELEVATIONS SHEET 1)



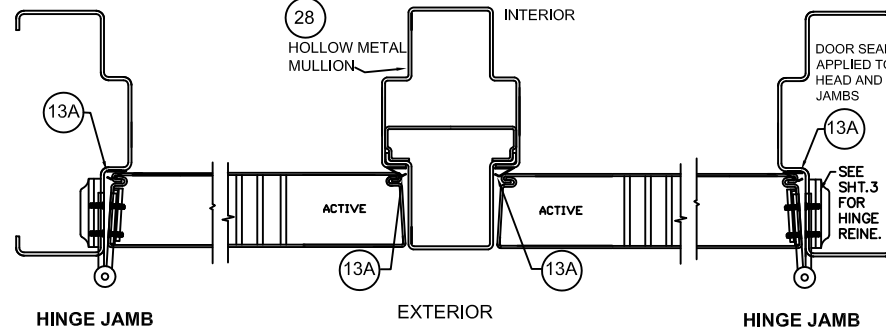
FOR CONFIGURATIONS: 7 & 8 (SEE ELEVATIONS SHEET 1)



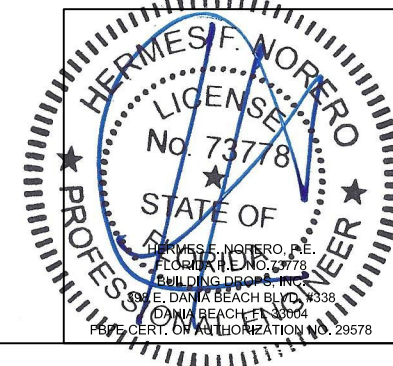
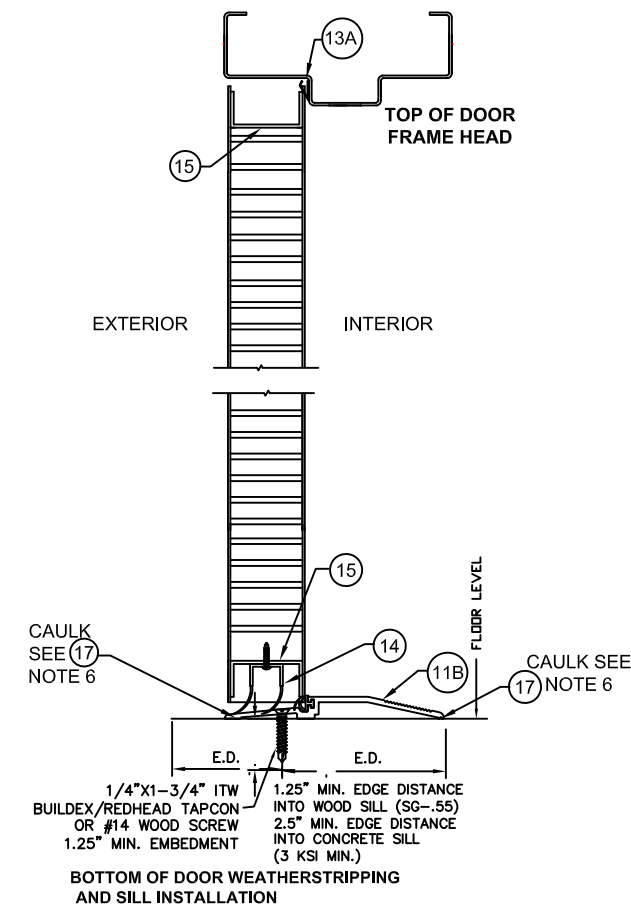
FOR CONFIGURATIONS: 5, 6, 9, & 11 (SEE ELEVATIONS SHEET 1)



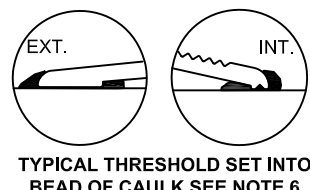
FOR CONFIGURATION: 10 (SEE ELEVATIONS SHEET 1)



ALL CONFIGURATIONS



- NOTES:**
- SLOT LOCATIONS MAY VARY WITH DIFFERENT DOOR WIDTH.
 - DOOR SWEEP RIGID SECTION IS MADE OF PRO-FAX #PD-199 POLYPROPYLENE HOMOPOLYMER.
 - DOOR SWEEP FLEXIBLE SECTION IS MADE OF SANTOPRENE #101-73
 - FAS-SEAL DOOR SWEEP (14), DOOR SEAL (13A) AND THRESHOLD (11B) AS APPLICABLE, ARE REQUIRED FOR ALL INSTALLATIONS.
 - SEAL ALL JOINTS WHERE FRAME MEETS WALL WITH BUTYL RUBBER OR 100% SILICONE CAULK
 - INSTALL THRESHOLD INTO BEAD OF BUTYL RUBBER OR 100% SILICONE CAULK FULL LENGTH OF SILL



BEND RADIUS		SCHLAGE LOCK COMPANY, LLC 11819 N. PENNSYLVANIA CARMEL, IN 46032	
THIRD ANGLE PROJECTION		TITLE: STEELCRAFT H SERIES DOUBLE FLUSH OUTSWING COMMERCIAL STEEL DOORS WITH AND WITHOUT PANIC EXIT DEVICES	
DRAWN YMF	DATE 05/20/07	DOUBLE FLUSH DOOR PERIMETER NGP SEAL HARDWARE APPROVED WHERE WATER INFILTRATION IS NOT REQUIRED	
CHECKED		SIZE FLAT	DWG NO. IRFD07
APPROVED		SCALE NTS	AUTOCAD
ENG. APPVL JPD	10/11/07	SHEET 8 of 17	REV 0

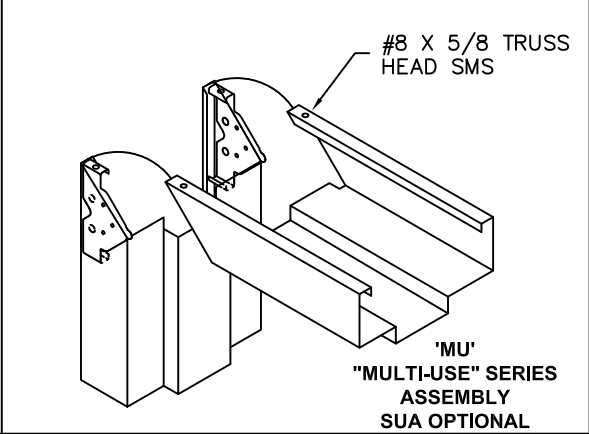
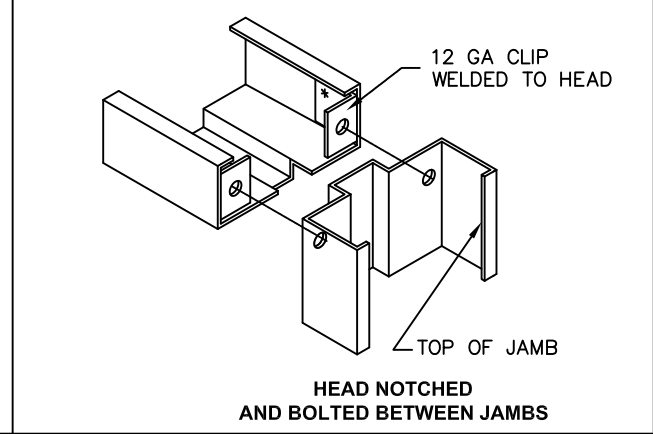
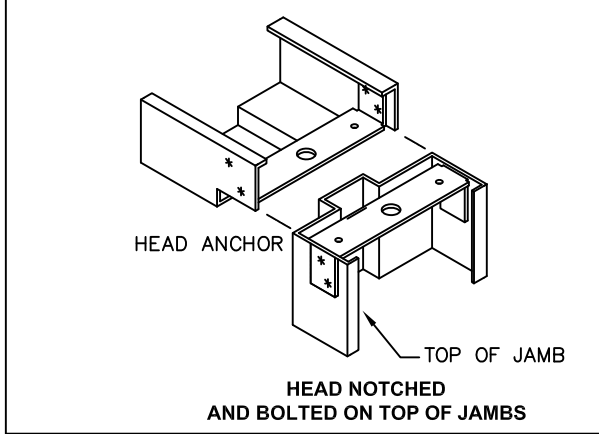
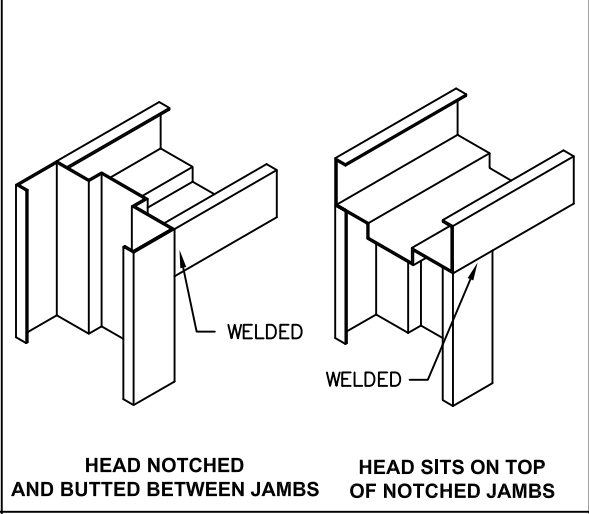
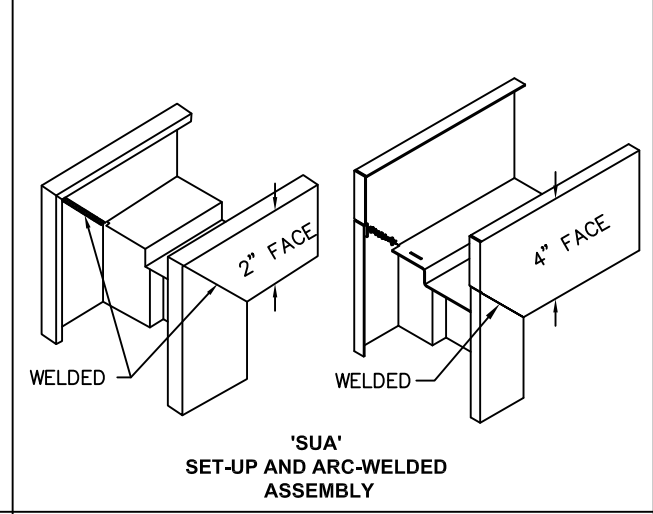
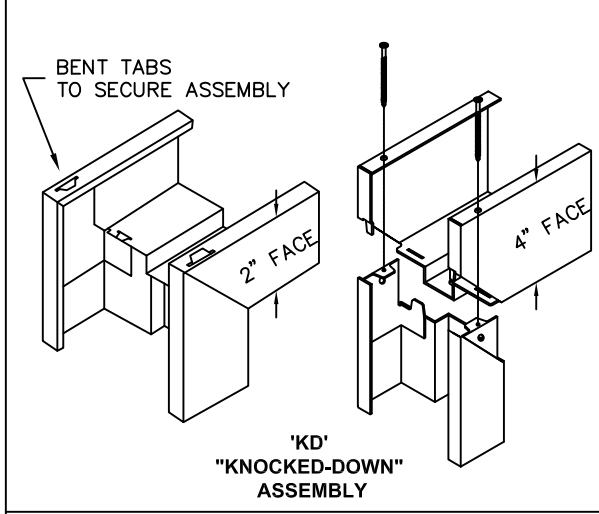


TABLE 7. STEEL MECHANICAL PROPERTIES

MATERIAL	ASTM REF.	YIELD KSI	TENSILE KSI
CRS	A366	MIN. 30.1	MIN. 44.7
HRS	A1011		
GALV: A60	A924	MIN. 31.2	MIN. 73.2
SS: 304,306	A240		

REVISIONS

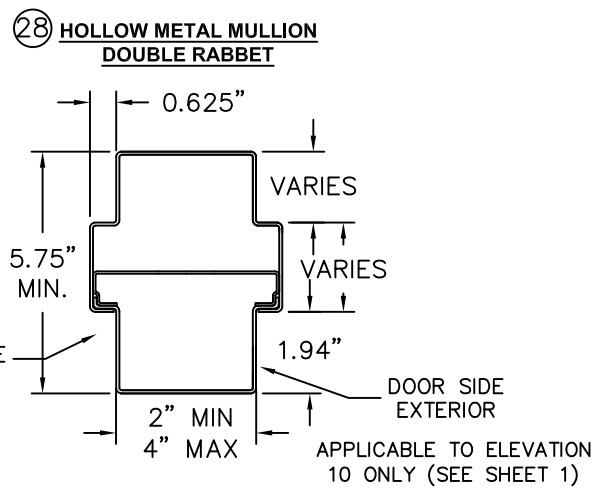
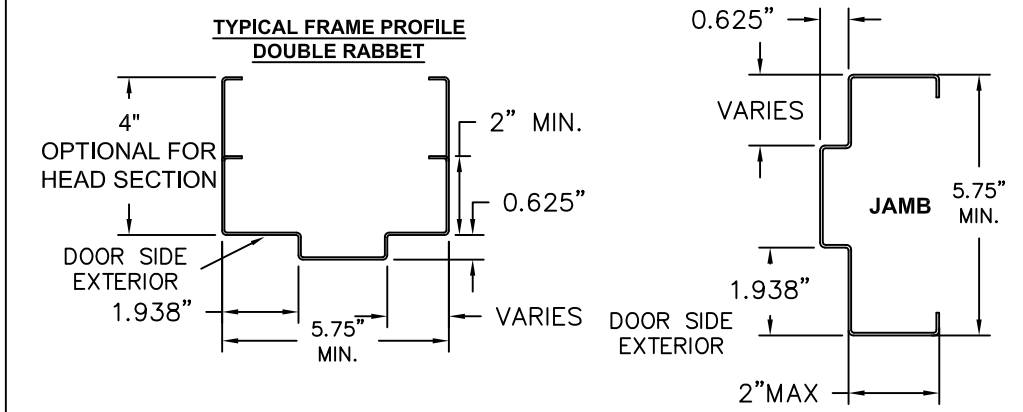
LTR	DESCRIPTION	DATE	APPROVED
D	REVISED DWG	YMF 01/23/08	
E	REVISED DWG	YMF 04/09/08	
F	REVISED DWG	YMF 06/02/08	
G	REVISED PER_MDBCCO	YMF 02/06/09	
H	REVISED DWG	YMF 03/18/09	
J	REVISED DWG	YMF 04/06/10	
K	REVISED NAME	JPD 11/01/13	
L	REVISED DWG	JPD 02/01/15	
M	REVISED DWG	JPD 06/30/15	
N	ENGINEER CHANGE	AM 12/01/16	
O	REVISED DWG	JPD 07/18/18	

TABLE 6. AVAILABLE STEELCRAFT FRAME CONFIGURATIONS

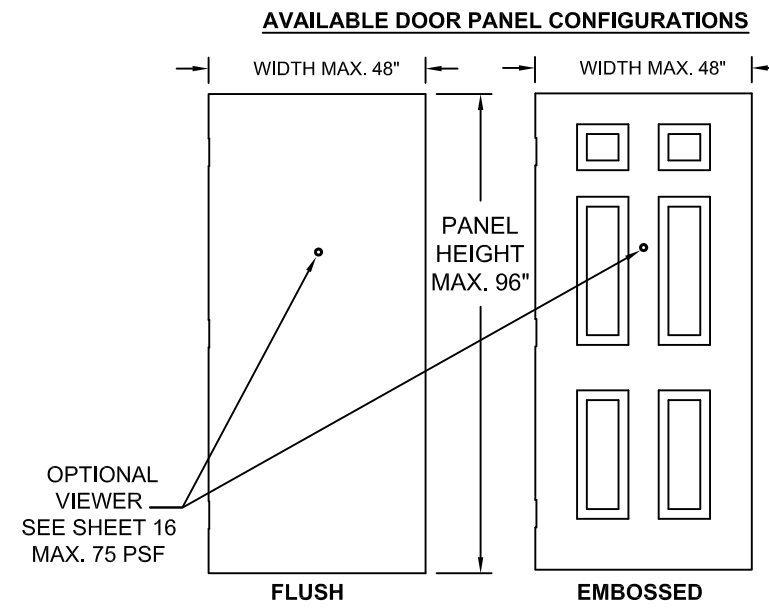
FRAME SERIES	JAMB DEPTH	MAX. OPENING SIZE		MATERIAL	
		WIDTH	HEIGHT	DESCR.	GA./MIN. THK
F	5.75" MIN.	8'0"	8'0"	CRS/HRS GALV	16/.053" 14/.067" 12/.099"
				STAINLESS STEEL	16/.053"
MU	5.75" MIN.	8'0"	8'0"	CRS/HRS GALV	16/.053" 14/.067"

TABLE 5. AVAILABLE STEELCRAFT DOOR CONFIGURATIONS

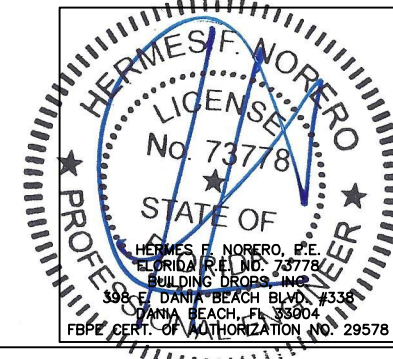
CORE MATERIAL PER SHT.12	MAXIMUM OPENING SIZE		SKIN MATERIAL	
	WIDTH	HEIGHT	DESCR.	GA./MIN. THK
HONEYCOMB POLYSTYRENE POLYURETHANE (POLYISOCYANURATE) TEMPERATURE RISE STEEL STIFFENED	VARIES SEE SHEET 2 TABLE 1		CRS GALV	16/.053" 14/.067"
HONEYCOMB POLYSTYRENE POLYURETHANE	VARIES SEE SHEET 2 TABLE 1		STAINLESS STEEL	16/.053"



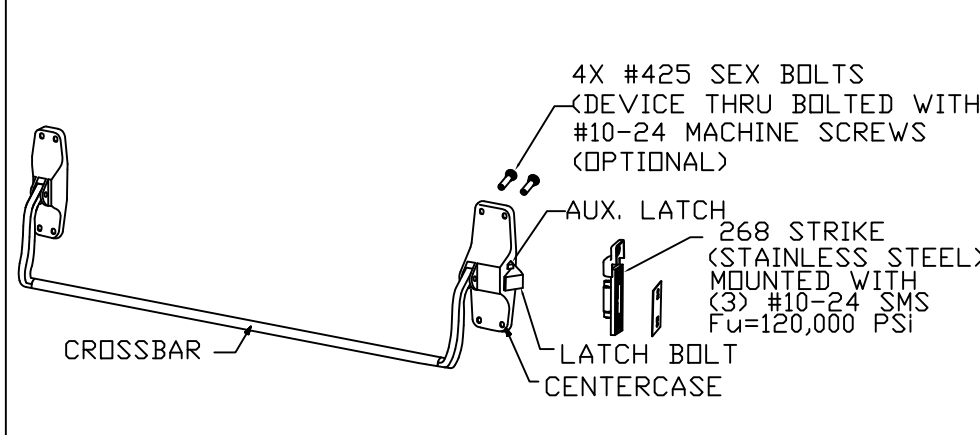
MATERIAL IS PER TABLE 7. MINIMUM THICKNESS IS 0.053" (16 Ga.)
 MINIMUM YIELD STRENGTH = 58,000 PSI
 MINIMUM TENSILE STRENGTH = 45,700 PSI



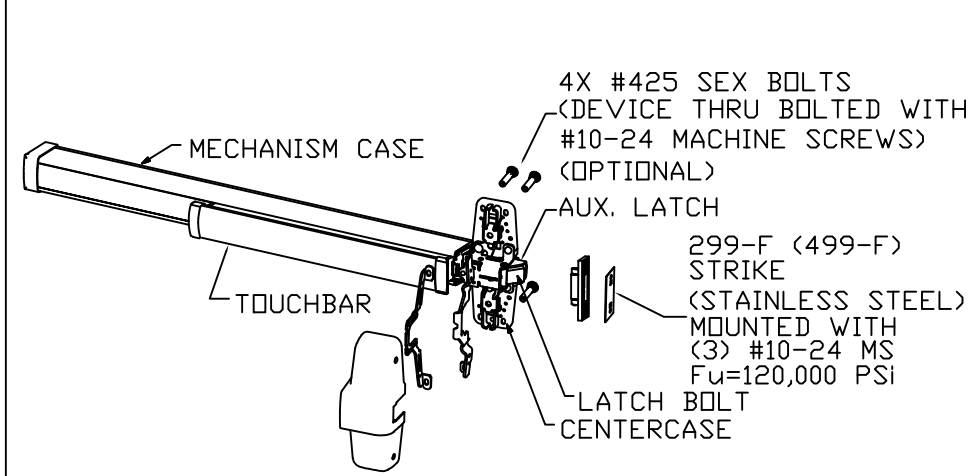
- NOTES:
- DOOR CONSTRUCTION
 - MINIMUM DOOR THICKNESS - 1 3/4"
 - DOOR SIZE MAY VARY, SUBJECTED TO COMPLIANCE WITH FLORIDA BUILDING CODE AND PRODUCT AVAILABILITY FROM MANUFACTURER (SEE SHEET 2 FOR AVAILABLE HARDWARE)
 - PEEP-HOLES AND DOOR VIEWERS ARE PERMITTED TO BE USED IN DOORS WITH A MAXIMUM DESIGN PRESSURE OF +/- 75 PSF OR LESS. MAXIMUM 9/16" DIAMETER HOLE THROUGH DOOR FOR VIEWER INSTALLATION.
 - FRAME CONSTRUCTION
 - MINIMUM JAMB DEPTH - 5 3/4", STOP HEIGHT - 5/8"
 - FRAMES AVAILABLE AS FLUSH (F-SERIES) AND MULTI-USE (MU-SERIES) (SEE TABLE 6)
 - FOR MATERIAL SPECIFICATIONS REFERENCE SEE TABLE 7.



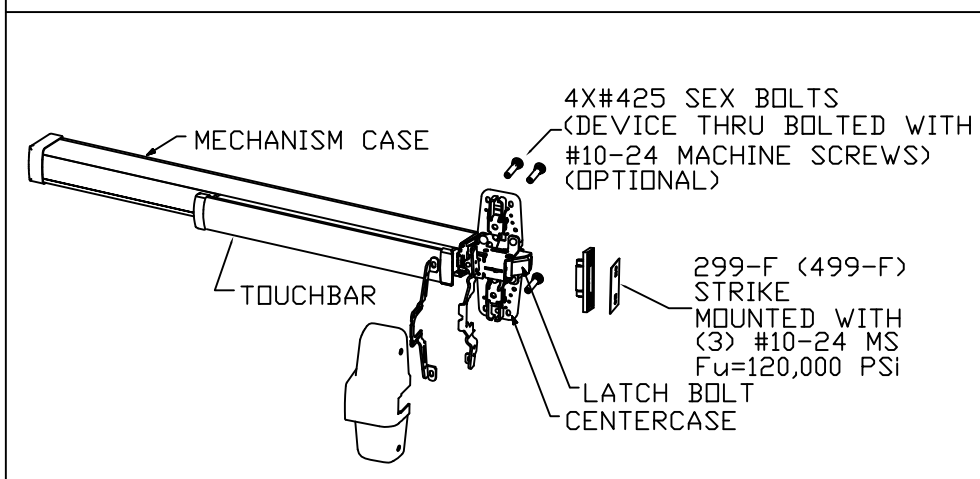
BEND RADIUS		SCHLAGE LOCK COMPANY, LLC 11819 N. PENNSYLVANIA STREET CARMEL, IN 46032	
THIRD ANGLE PROJECTION		TITLE: STEELCRAFT H SERIES DOUBLE FLUSH OUTSWING COMMERCIAL STEEL DOORS WITH AND WITHOUT PANIC EXIT DEVICES	
DRAWN YMF	DATE 05/20/07	FRAME PROFILE, CORNER DETAILS AND DOOR FRAME MATERIAL, AND SIZE OPTIONS	
CHECKED		SIZE FLAT	DWG NO. IRFD07
APPROVED		SCALE: NTS	AUTOCAD
ENG. APPVL JPD	10/12/07		SHEET 9 of 17



VON DUPRIN 88-F RIM DEVICE USED IN CONFIGURATION: 6

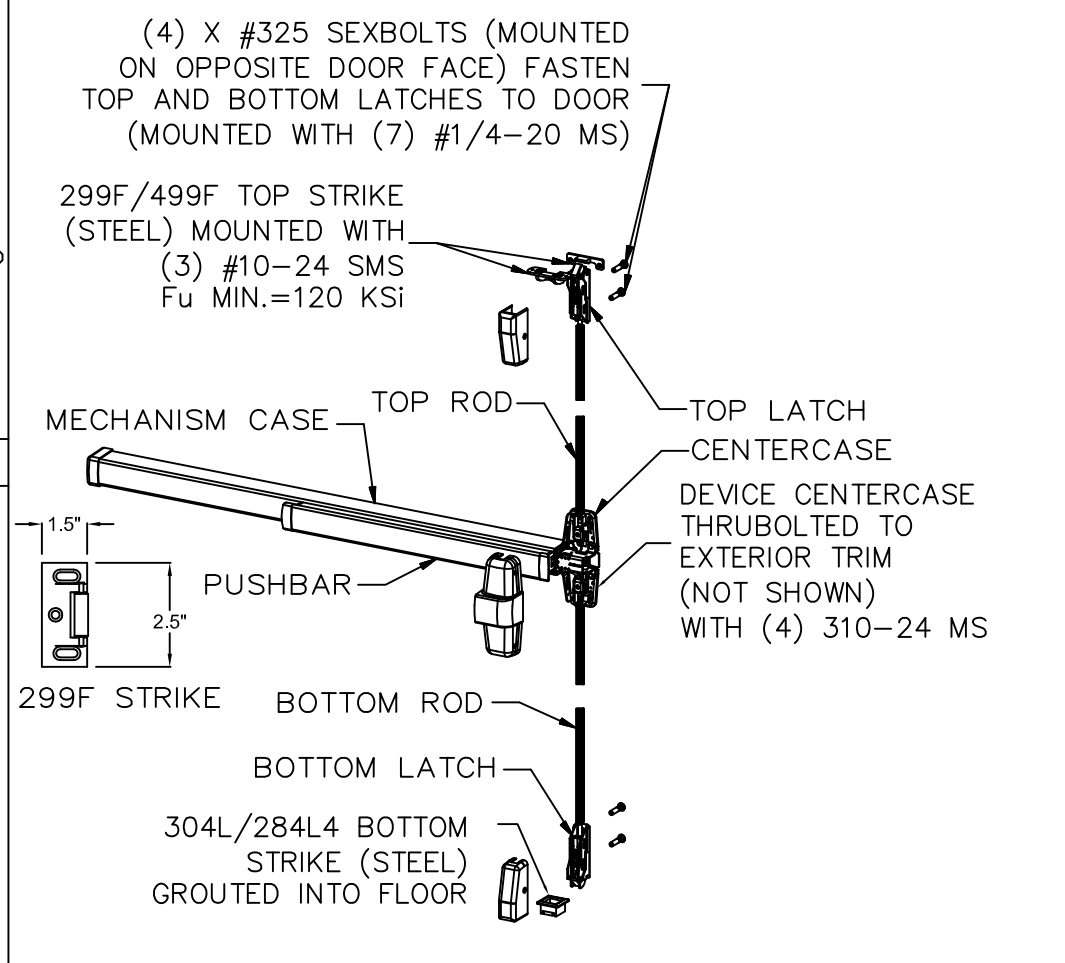


VON DUPRIN 98/99 & 98/99-F RIM DEVICE USED IN CONFIGURATION: 6

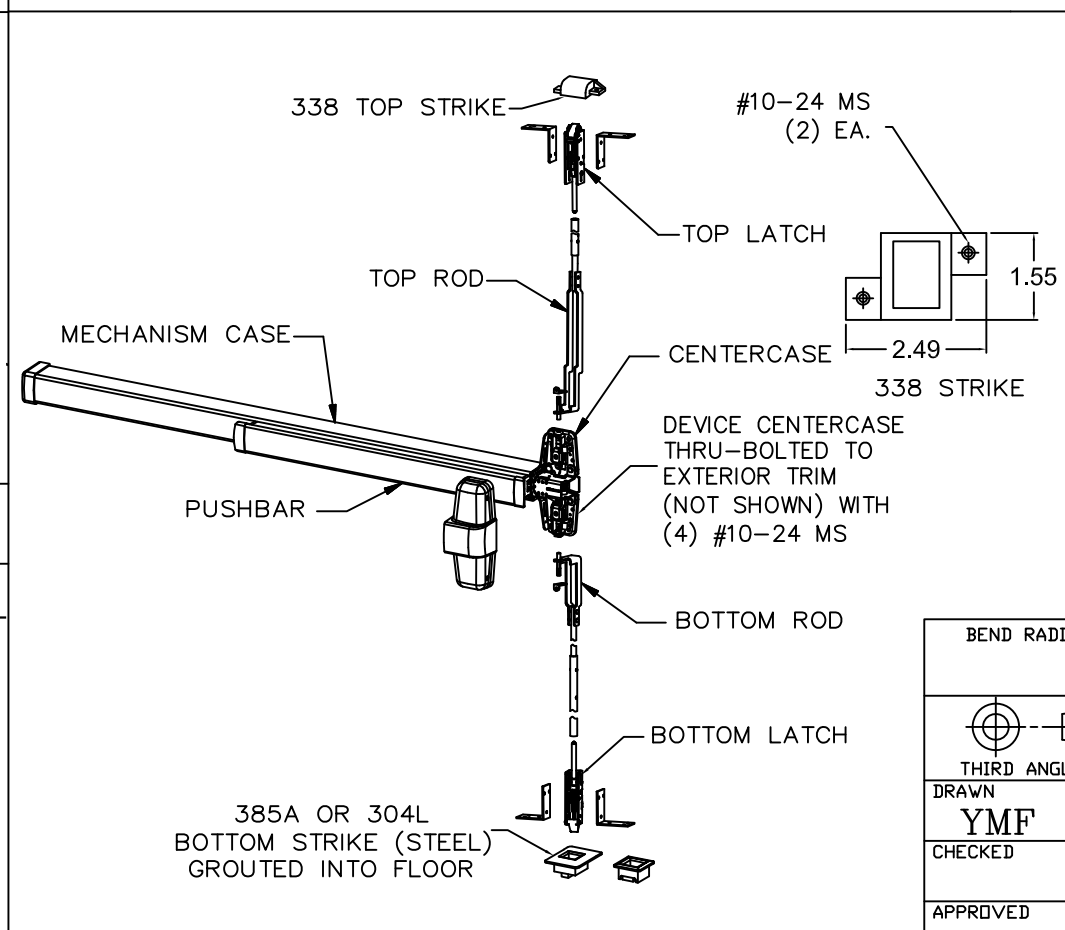


VON DUPRIN XP98/99 & XP98/99-F USED IN CONFIGURATION: 5

NOTES:
 1. ELECTRICAL FUNCTIONS/INSTALLATION AND FIRE RATINGS ARE NOT PART OF THIS APPROVAL AND TO BE REVIEWED AND APPROVED BY BUILDING OFFICIAL.
 2. EXIT HARDWARE OPTIONS:
 FOR 98/99 & XP98/99 SERIES - FUNCTIONS E, RX, LX, SS, EL, QEL, CX, F; TRIM: ALL APPLICABLE TRIMS AVAILABLE.
 FOR 88-F SERIES - FUNCTION E; TRIM: ALL APPLICABLE TRIMS AVAILABLE. PN MODEL OFFERED.
 FOR 33/35-F SERIES - FUNCTIONS RX, LX, EL, SS; TRIM: ALL APPLICABLE TRIMS AVAILABLE.
 FOR 2670 GUARD-X; TRIM: ALL APPLICABLE TRIMS AVAILABLE.
 TRIM: ALL APPLICABLE TRIMS AVAILABLE.

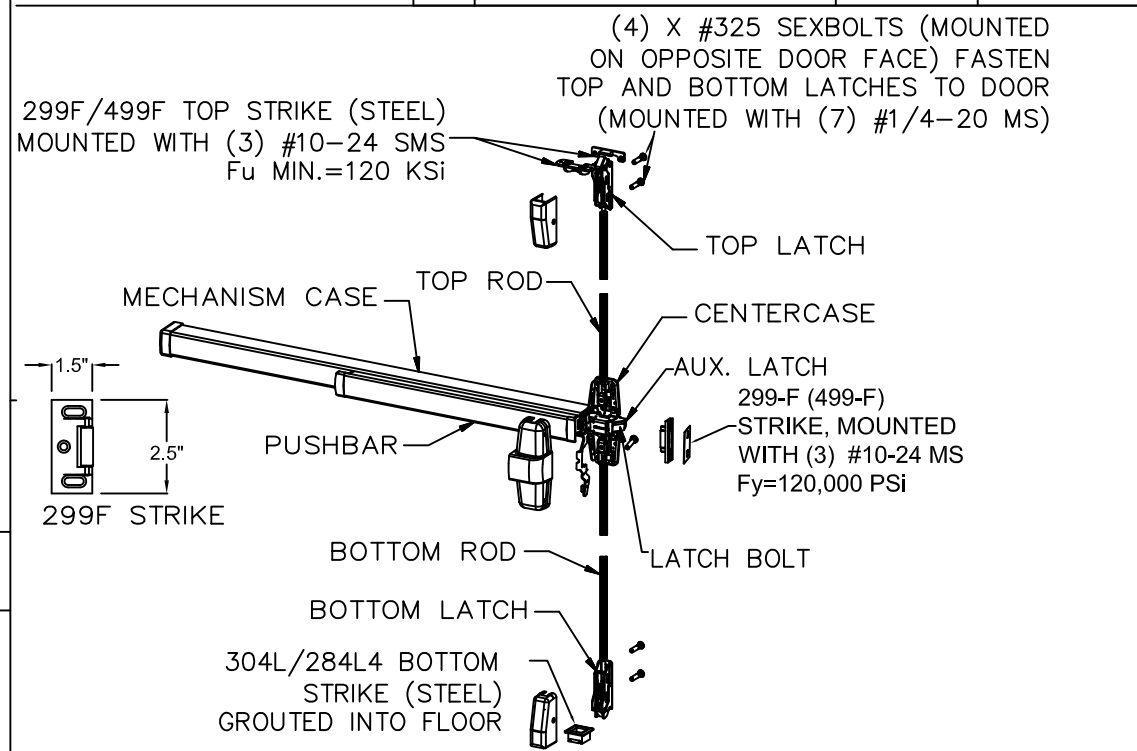


VON DUPRIN 98/9927 & 98/9927-F SURFACE VERTICAL ROD EXIT DEVICE USED IN CONFIGURATION: 7

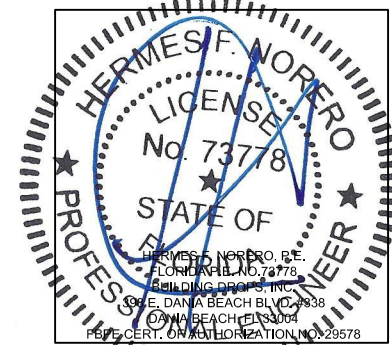


VON DUPRIN 98/9947-F & HH98/9947 WITH 2-3/4" BACKSET CONCEALED VERTICAL ROD EXIT DEVICE USED IN CONFIGURATION: 8

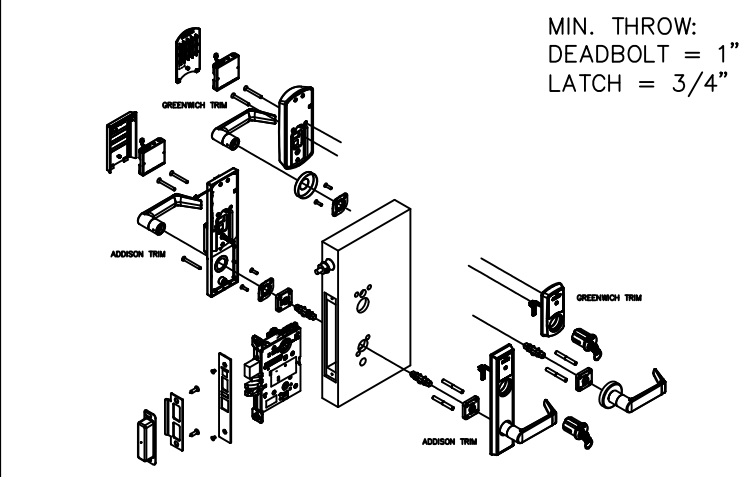
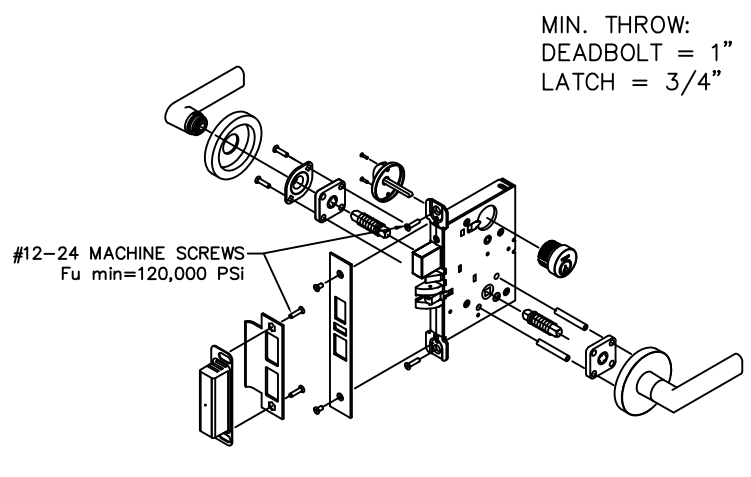
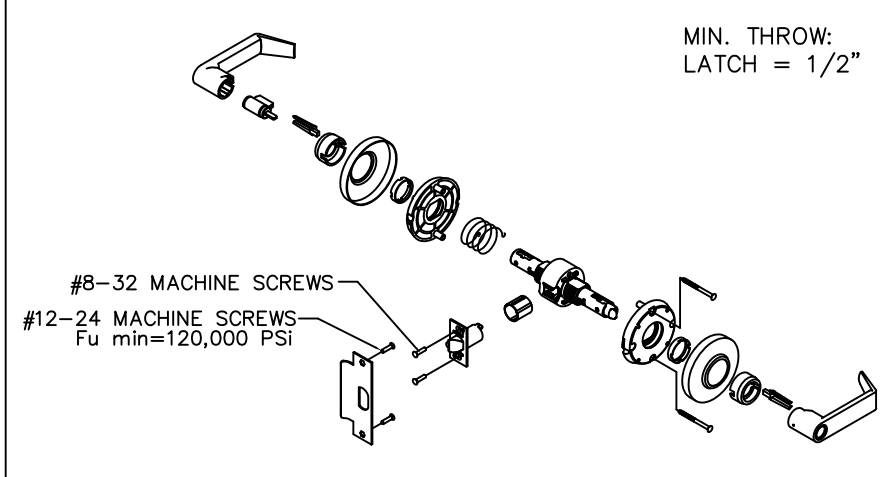
REVISIONS				
LTR	DESCRIPTION	DATE	APPROVED	
F	REVISED DWG	YMF	06/02/08	
G	REVISED PER_MDBCCD	YMF	02/06/09	
H	REVISED DWG	YMF	03/18/09	
J	REVISED PER_MDBCCD	YMF	04/06/10	
K	REVISED NAME	JPD	11/01/13	
L	REVISED DWG	JPD	02/01/15	
M	REVISED DWG	JPD	06/30/15	
N	ENGINEER CHANGE	AM	12/01/16	
D	REVISED DWG	JPD	07/18/18	



VON DUPRIN 98/9957 OR 98/9957-F THREE-POINT LATCHING DEVICE USED IN CONFIGURATIONS: 9 & 10



BEND RADIUS		SCHLAGE LOCK COMPANY, LLC 11819 N. PENNSYLVANIA STREET CARMEL, IN 46032	
THIRD ANGLE PROJECTION		TITLE: STEELCRAFT H SERIES DOUBLE FLUSH OUTSWING COMMERCIAL STEEL DOORS WITH AND WITHOUT PANIC EXIT DEVICES.	
DRAWN YMF	DATE 05/20/07	EXIT HARDWARE FOR FLUSH DOUBLE DOORS.	
CHECKED	CDATE	SIZE	FLAT
APPROVED	ADATE	DWG NO.	IRFD07
ENG. APPVL JPD	EDATE 10/12/07	SCALE:	NTS AUTOCAD
		SHEET	10 OF 17

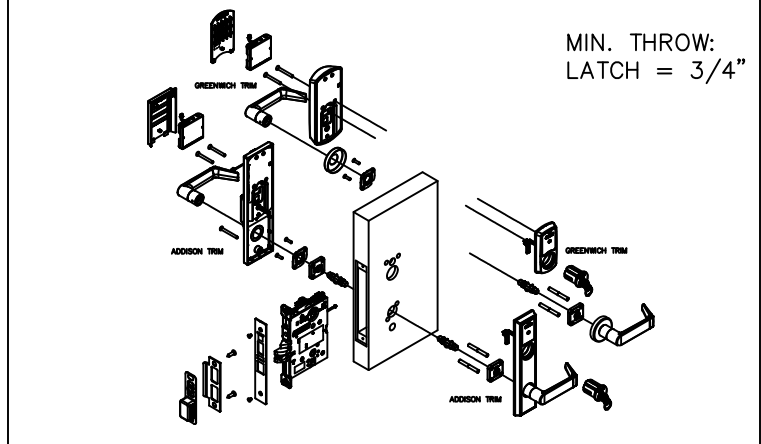
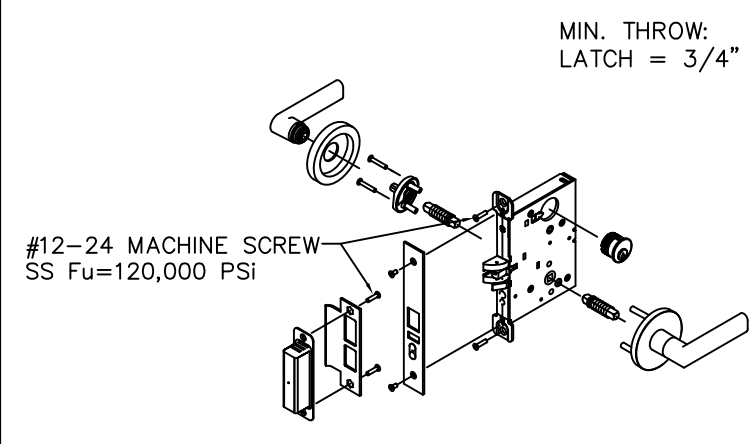
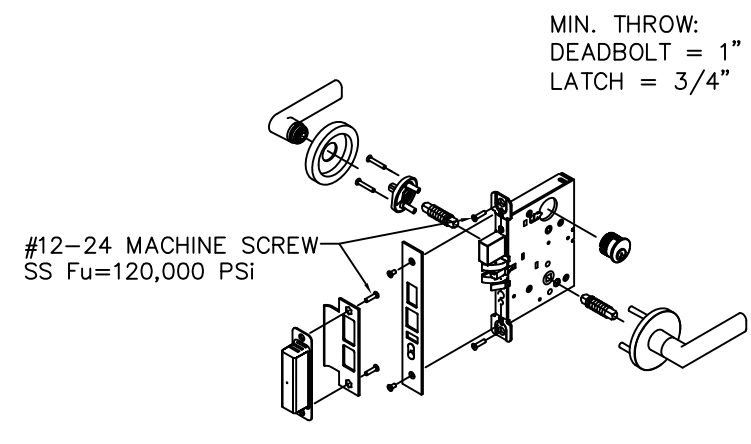
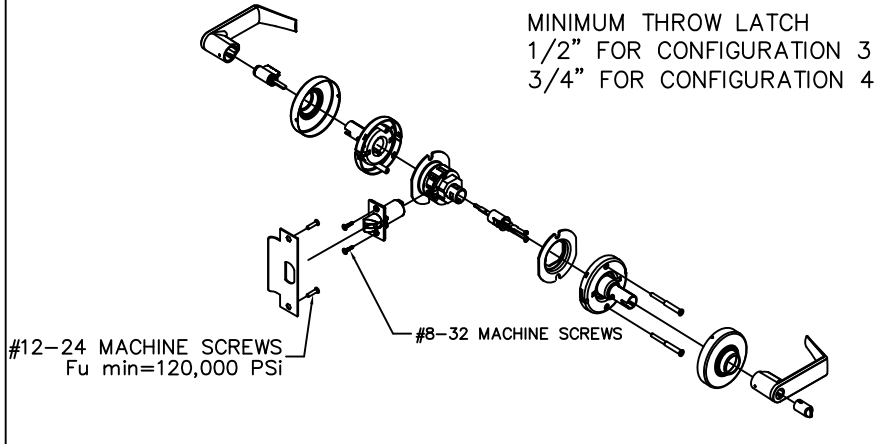


REVISIONS				
LTR	DESCRIPTION	DATE	APPROVED	
A	APPROVAL DWG	YMF	05/20/07	
D	REVISED DWG	YMF	01/23/08	
E	REVISED DWG	YMF	04/09/08	
F	REVISED DWG	YMF	06/02/08	
G	REVISED PER_MDBCCO	YMF	02/06/09	
H	REVISED DWG	YMF	03/18/09	
J	REVISED PER_MDBCCO	YMF	04/06/10	
K	REVISED NAME	JPD	11/01/13	
L	REVISED DWG	JPD	02/01/15	
M	ENGINEER CHANGE	AM	12/01/16	
O	REVISED DWG	JPD	07/18/18	

SCHLAGE AL SERIES
CYLINDRICAL LEVER LOCKSET WITH 1/2" THROW LATCH
USED IN CONFIGURATION: 2

SCHLAGE L/LV 9400 SERIES MORTISE LOCKSET
W/ DEADBOLT. USED IN CONFIGURATION: 1

SCHLAGE LE-MD SERIES MORTISE LOCKSET
W/ DEADBOLT. USED IN CONFIGURATION: 1

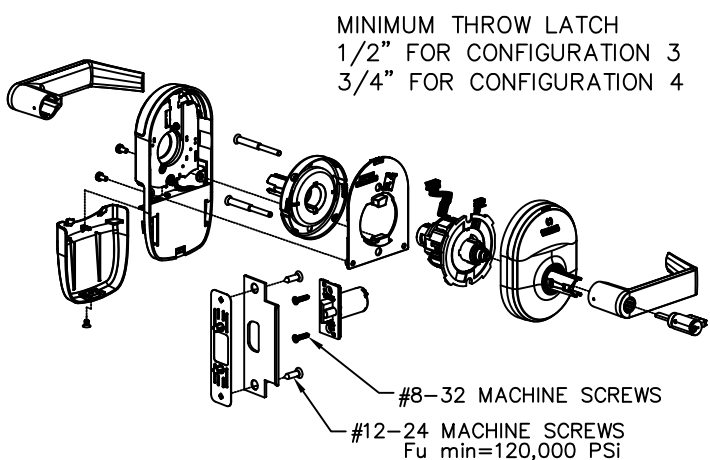
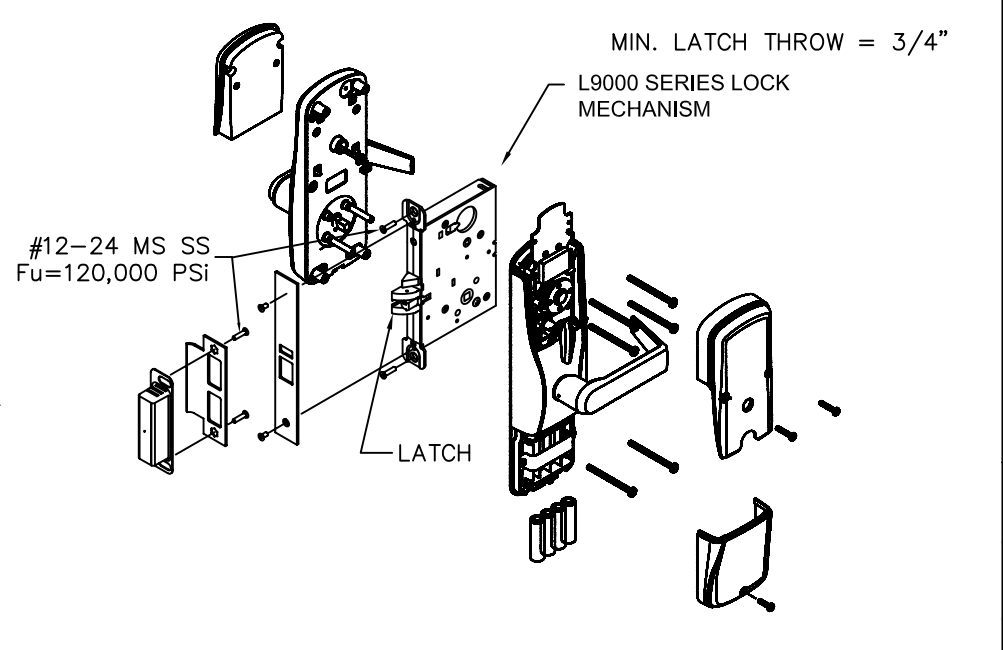
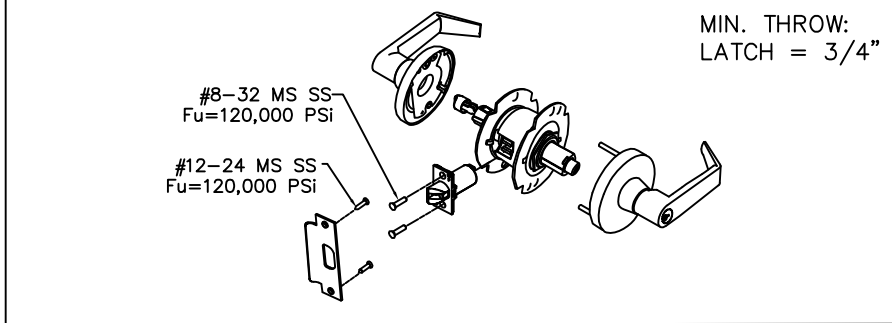


SCHLAGE D/ND-SERIES CYLINDRICAL LOCKSET.
USED IN CONFIGURATIONS: 3 & 4

FALCON MA-SERIES MORTISE LOCKSET W/ DEADBOLT
USED IN CONFIGURATION: 1

FALCON MA-SERIES MORTISE LOCKSET W/O DEADBOLT
USED IN CONFIGURATION: 1A

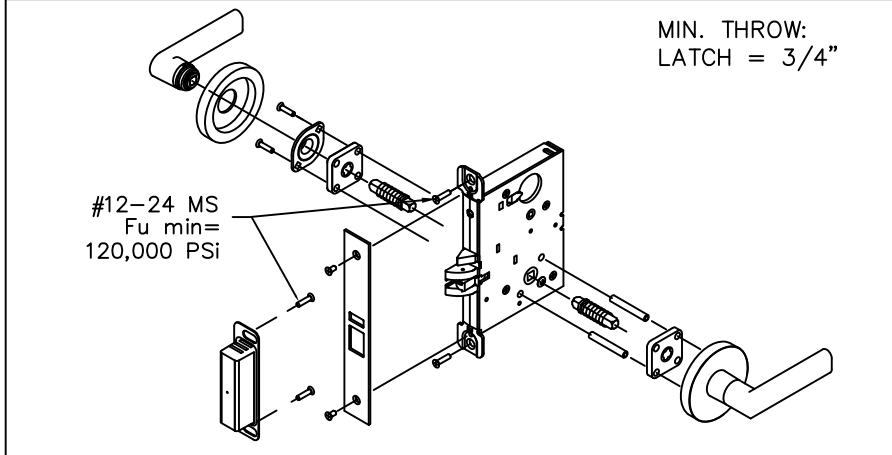
SCHLAGE LE-MS SERIES MORTISE LOCKSET
W/O DEADBOLT. USED IN CONFIGURATION: 1A



FALCON, T-SERIES CYLINDRICAL LEVER LOCKSET
USED IN CONFIGURATION: 4

SCHLAGE AD-MS & CO-MS SERIES MORTISE LOCK WITHOUT DEADBOLT
USED IN CONFIGURATION: 1A

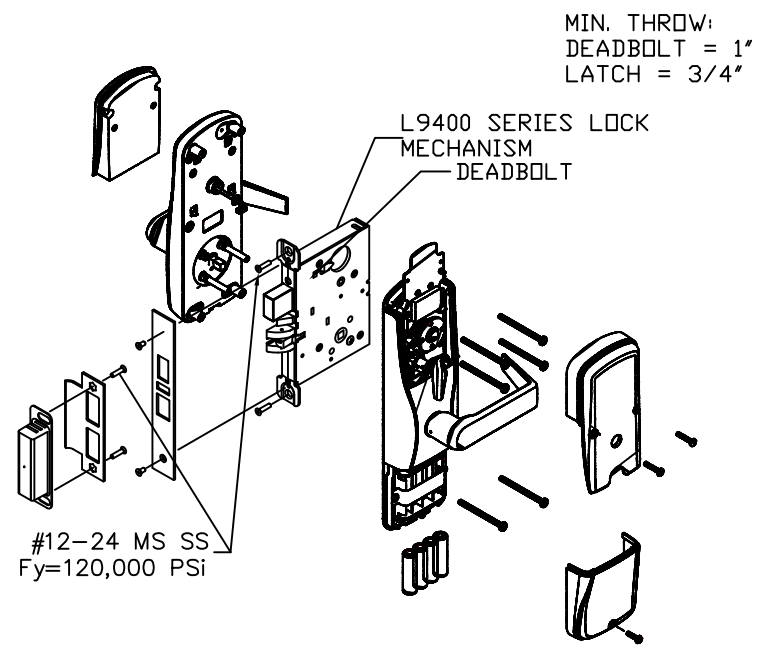
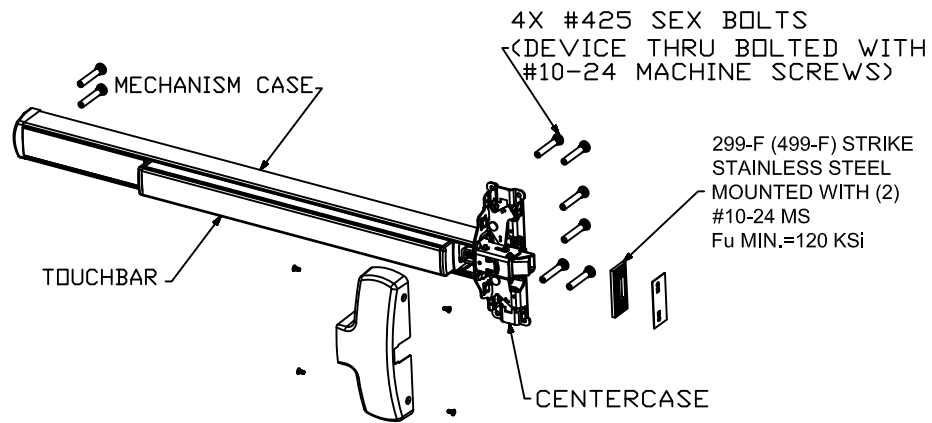
SCHLAGE NDE SERIES CYLINDRICAL LOCKSET
USED IN CONFIGURATIONS: 3 & 4



NOTES:
1. INSTALLATION AND FIRE RATINGS ARE NOT PART OF THIS APPROVAL AND TO BE REVIEWED AND APPROVED BY BUILDING OFFICIAL.
2. ELECTRIFIED FUNCTIONS APPROVED, BUT NOT SHOWN ABOVE.

BEND RADIUS		SCHLAGE LOCK COMPANY, LLC 11819 N. PENNSYLVANIA STREET CARMEL, IN 46032	
THIRD ANGLE PROJECTION		TITLE: STEELCRAFT H SERIES DOUBLE FLUSH COMMERCIAL STEEL DOORS WITH AND WITHOUT PANIC EXIT DEVICES	
DRAWN YMF	DATE 05/20/07	HARDWARE FOR FLUSH DOUBLE DOORS.	
CHECKED		SIZE FLAT	DWG NO. IRFD07
APPROVED		SCALE: NTS	AUTOCAD
ENG. APPVL JPD	10/12/07		SHEET 11 OF 17

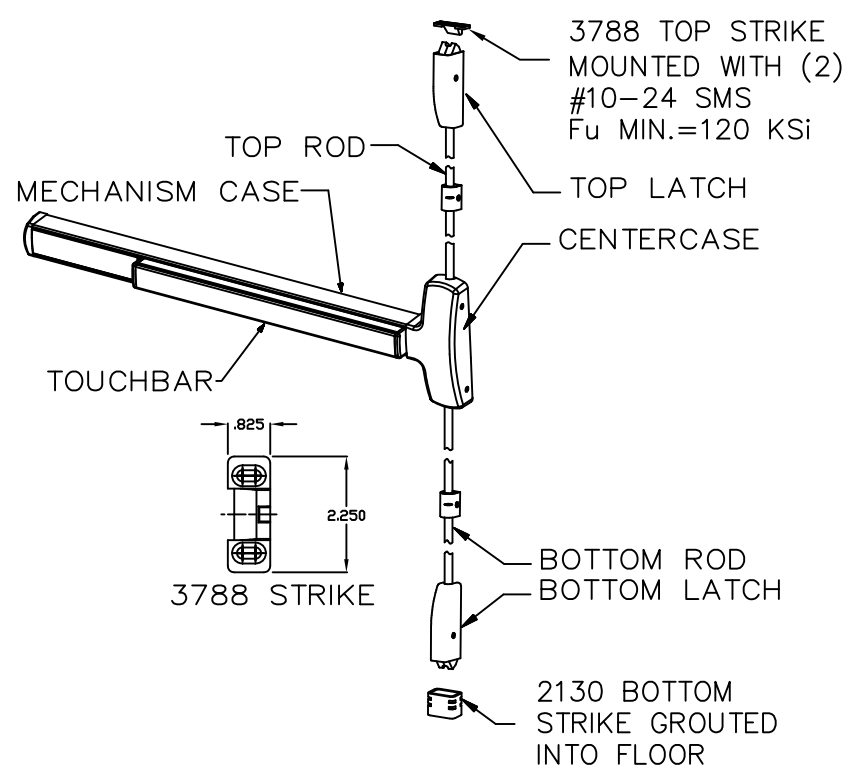
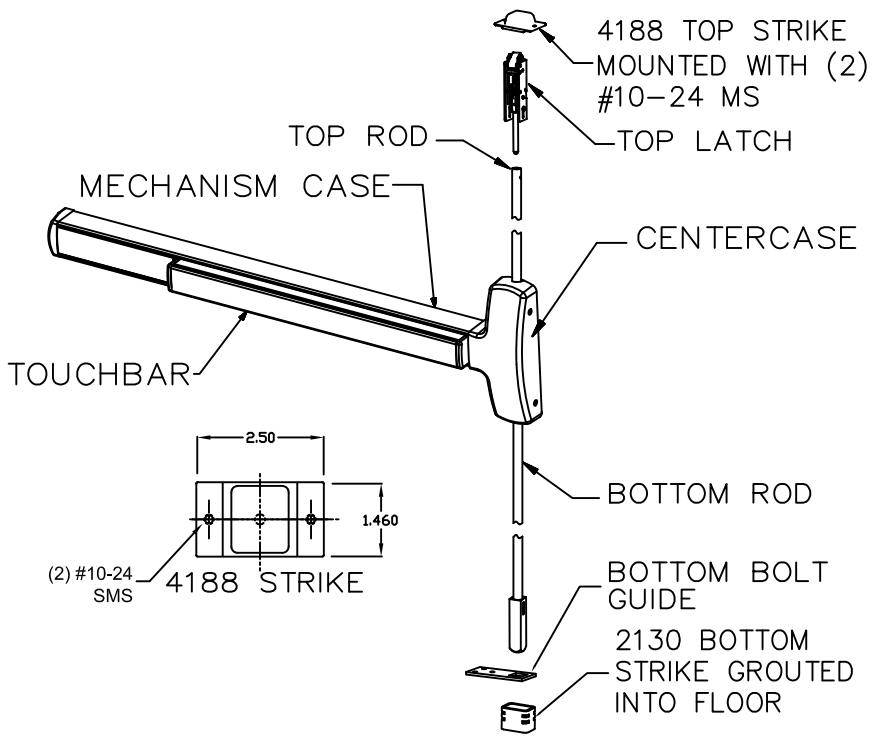
SCHLAGE L/LV 9000 SERIES MORTISE LOCK WITHOUT DEADBOLT
USED IN CONFIGURATION: 1A



REVISIONS				
LTR	DESCRIPTION	DATE	APPROVED	
C	REVISED DWG	RAP	12/03/07	
D	REVISED DWG	YMF	01/23/08	
E	REVISED DWG	YMF	04/09/08	
F	REVISED DWG	YMF	06/02/08	
G	REVISED PER_MDBCCD	YMF	02/06/09	
H	REVISED DWG	YMF	03/18/09	
J	REVISED PER_MDBCCD	YMF	04/06/10	
K	REVISED NAME	JPD	11/01/13	
L	REVISED DWG	JPD	02/01/15	
M	REVISED DWG	JPD	06/30/15	
N	ENGINEER CHANGE	AM	12/01/16	
D	REVISED DWG	JPD	07/18/18	

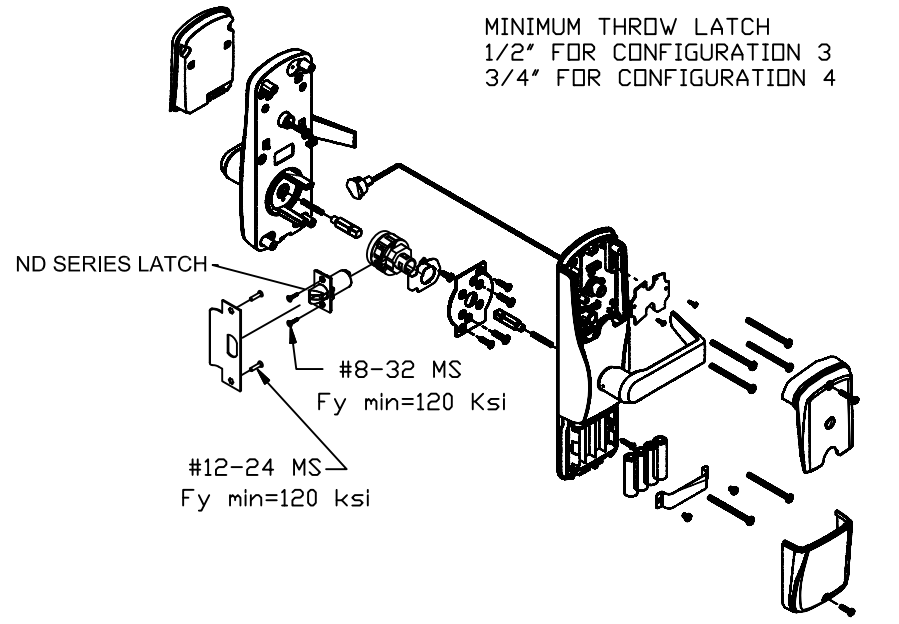
FALCON (F)25-R RIM EXIT DEVICE
USED IN DOOR CONFIGURATION 11 (SEE SHT.1)

SCHLAGE AD-MD & CD-MD SERIES MORTISE LOCKSET WITH DEADBOLT
USED IN CONFIGURATIONS: 1 (SEE SHT.1)

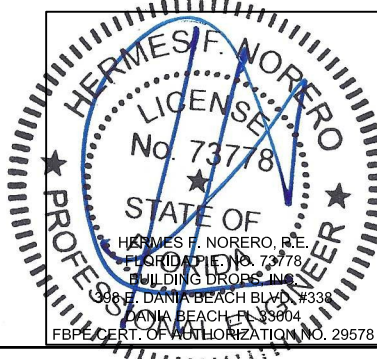


FALCON F-25-C CONCEALED VERTICAL ROD EXIT DEVICE
USED IN DOOR CONFIGURATION 8 (SEE SHT.1)

FALCON (F)25-V SURFACE VERTICAL ROD EXIT DEVICE
USED IN DOOR CONFIGURATION 7 (SEE SHT.1)



SCHLAGE AD-CY & CD-CY SERIES CYLINDRICAL LOCKSET
USED IN CONFIGURATIONS: 3&4 (SEE SHT.1)

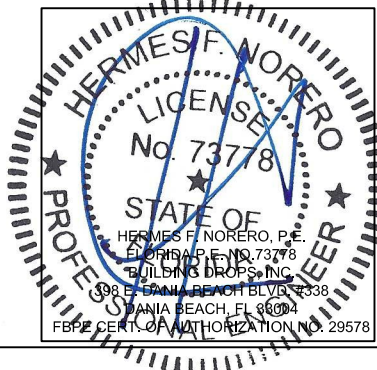
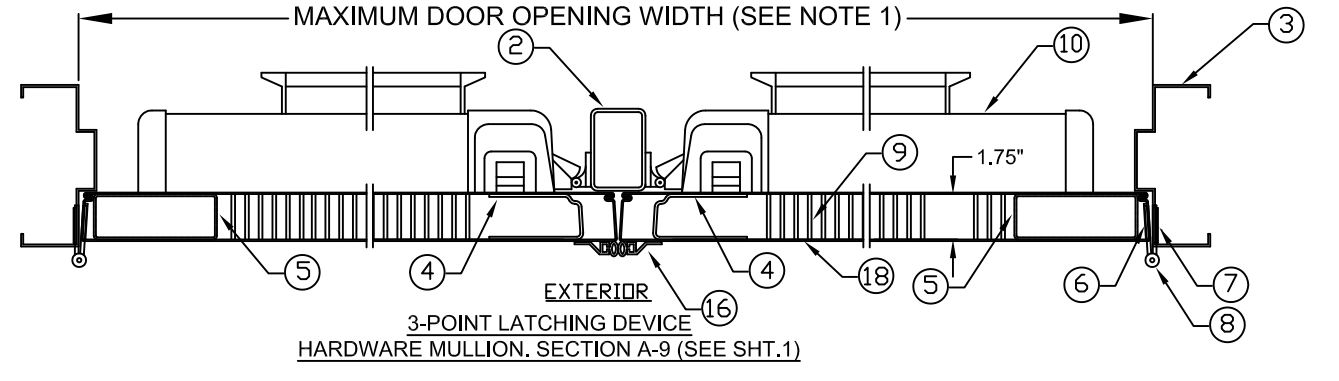
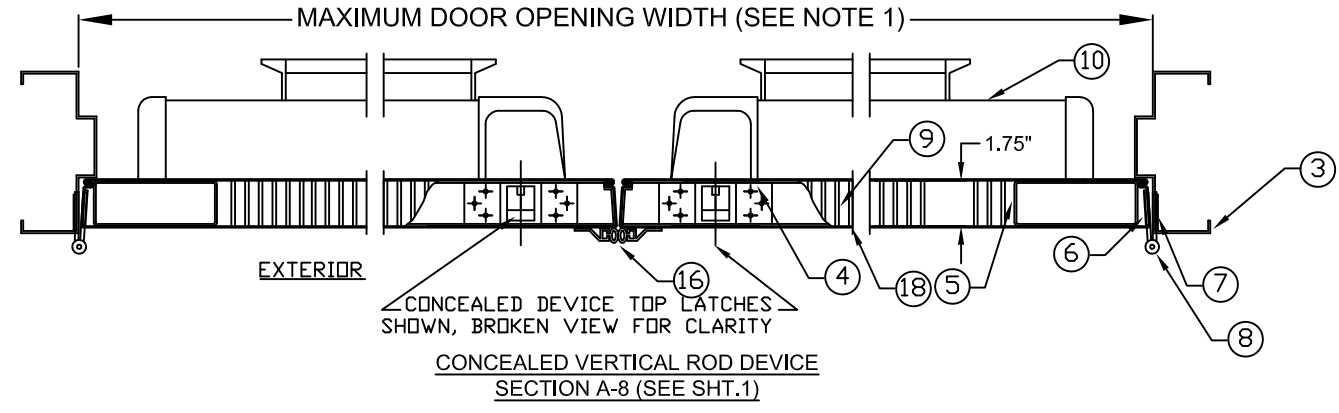
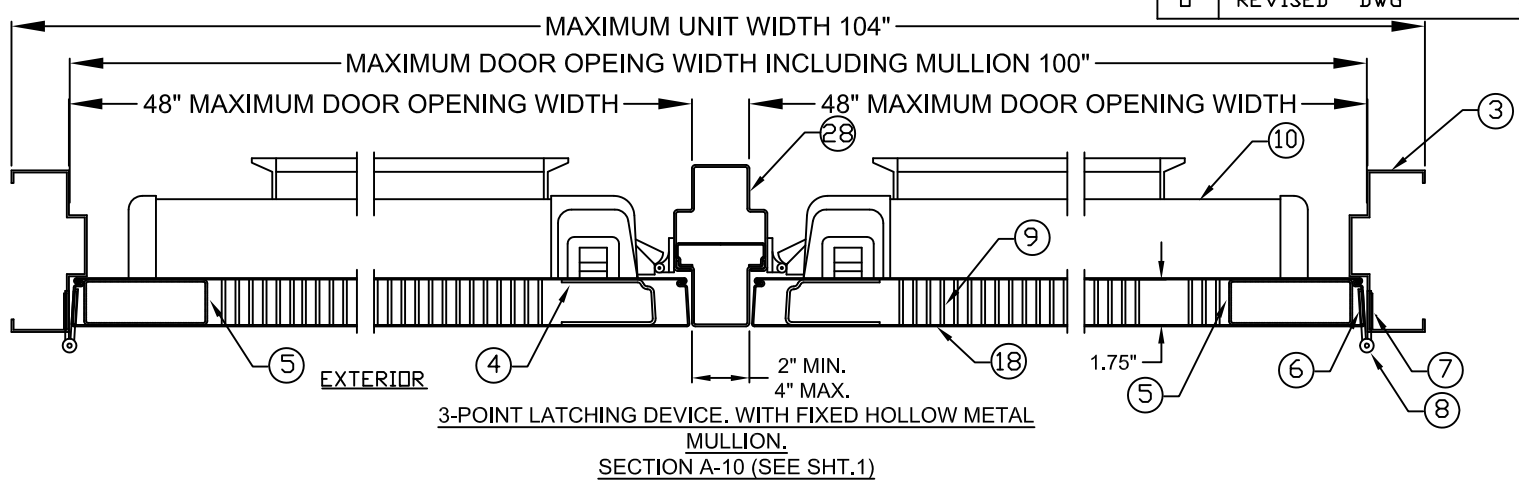
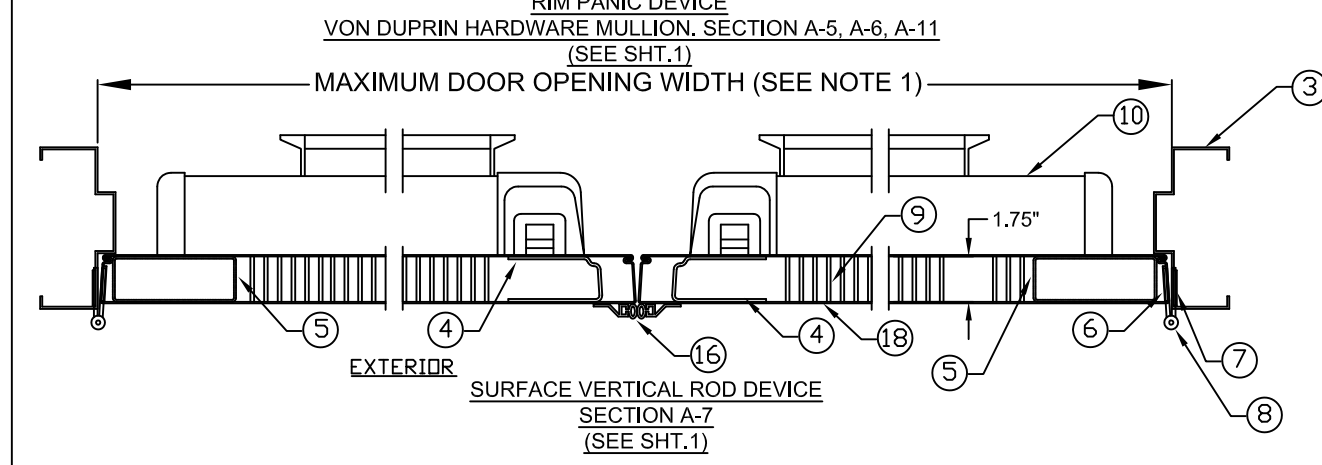
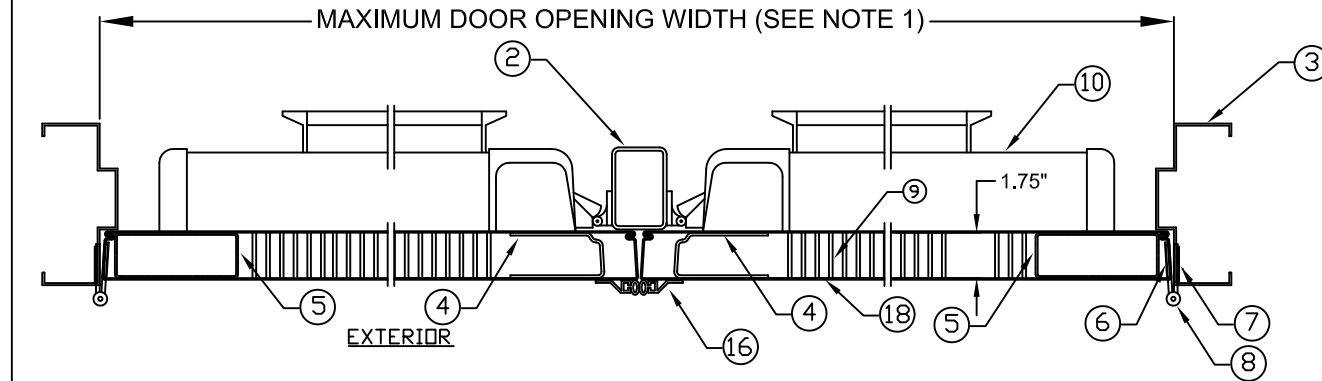
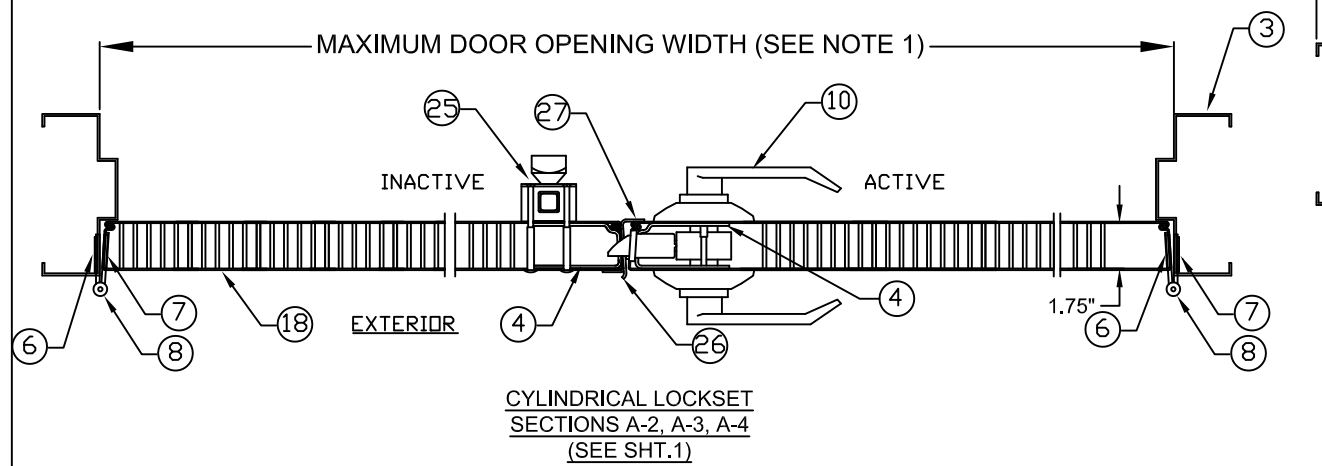
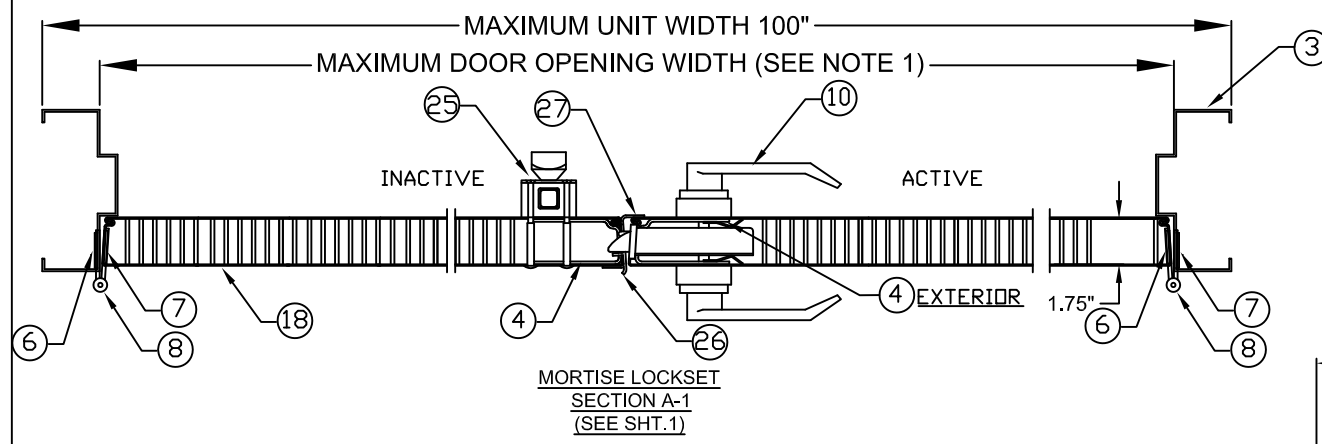


NOTES:
FIRE RATINGS ARE NOT PART OF THIS APPROVAL AND TO BE REVIEWED AND APPROVED BY BUILDING OFFICIAL.

EXIT HARDWARE OPTIONS:
F-25-C & (F)25-V (F) 25-R SERIES - FUNCTIONS AE, DM, LM, LK, KOR, ED, EL, EA, FSA, FSE, HWEA
TRIMS: ALL APPLICABLE TRIMS AVAILABLE

BEND RADIUS		SCHLAGE LOCK COMPANY, LLC 11819 N. PENNSYLVANIA STREET CARMEL, IN 46032	
THIRD ANGLE PROJECTION		TITLE: STEELCRAFT H SERIES DOUBLE FLUSH OUTSWING COMMERCIAL STEEL DOORS WITH AND WITHOUT PANIC EXIT DEVICES	
DRAWN YMF	DATE 05/20/07	HARDWARE FOR FLUSH DOUBLE DOORS.	
CHECKED	CDATE	SIZE	FLAT
APPROVED	ADATE	DWG NO.	IRFD07
ENG. APPVL JPD	EDATE 10/12/07	SCALE:	NTS AUTOCAD
		SHEET	12 OF 17

REVISIONS				
LTR	DESCRIPTION	DATE	APPROVED	
H	REVISED DWG	YMF	03/18/09	
J	REVISED PER_MDBCCD	YMF	04/06/10	
K	REVISED NAME	JPD	11/01/13	
L	REVISED DWG	JPD	02/01/15	
M	REVISED DWG	JPD	06/30/15	
N	ENGINEER CHANGE	AM	12/01/16	
D	REVISED DWG	JPD	07/18/18	



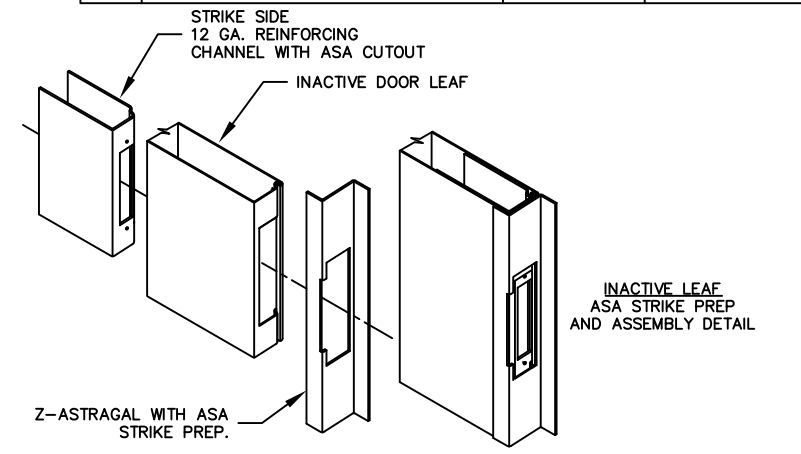
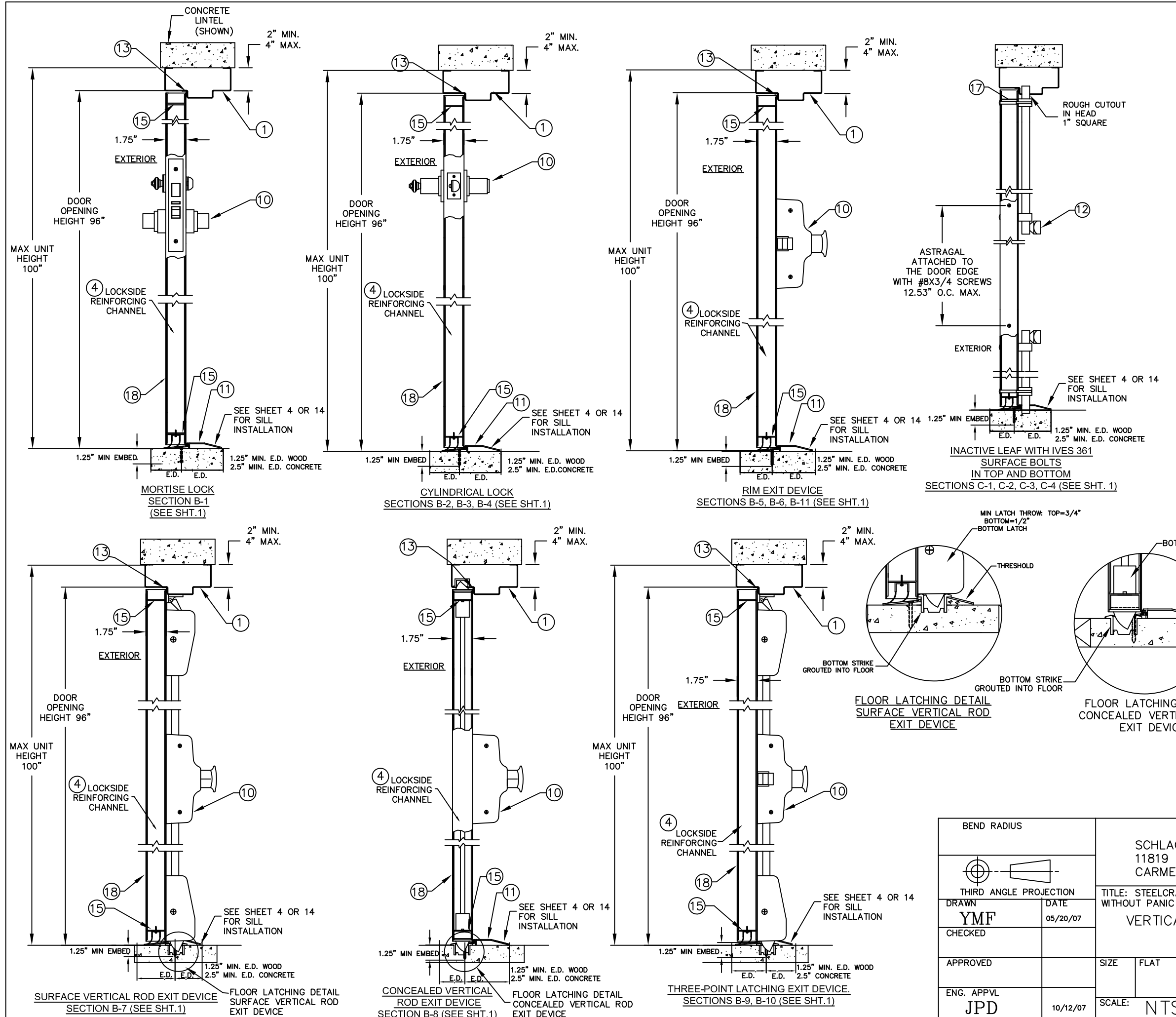
NOTES:

1. FOR MAXIMUM OPENING SIZE SEE TABLE 1 ON SHEET 2.
2. SEE SHEET 4 & 17 FOR ANCHOR INSTALLATION AND SHEETS 3, 4, 5, 6 & 17 FOR SILL INSTALLATION DETAILS.

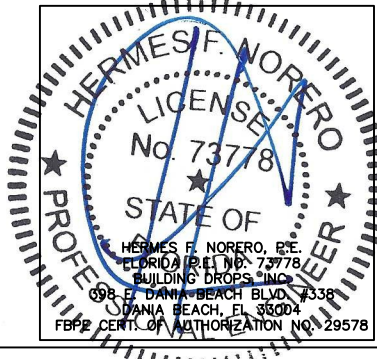
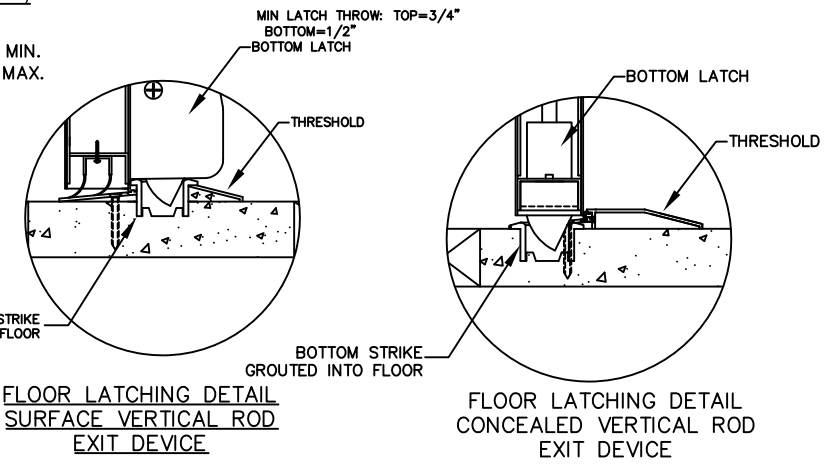
BEND RADIUS		SCHLAGE LOCK COMPANY, LLC 11819 N. PENNSYLVANIA STREET CARMEL, IN 46032			
THIRD ANGLE PROJECTION		TITLE: STEELCRAFT H SERIES DOUBLE FLUSH OUTSWING COMMERCIAL STEEL DOORS WITH AND WITHOUT PANIC EXIT DEVICES			
DRAWN YMF	DATE 05/20/07	HORIZONTAL CROSS SECTIONS FOR FLUSH DOUBLE DOORS.			
CHECKED		SIZE	FLAT	DWG NO.	IRF D07
APPROVED		SCALE: NTS AUTOCAD		SHEET	13 OF 17
ENG. APPVL					

REVISIONS

LTR	DESCRIPTION	DATE	APPROVED
F	REVISED DWG	YMF 06/02/08	
G	REVISED PER_MDBCCO	YMF 02/06/09	
H	REVISED DWG	YMF 03/18/09	
J	REVISED PER_MDBCCO	YMF 04/06/10	
K	REVISED NAME	JPD 11/01/13	
L	REVISED DWG	JPD 02/01/15	
M	REVISED DWG	JPD 06/30/15	
N	ENGINEER CHANGE	AM 12/01/16	
O	REVISED DWG	JPD 07/18/18	



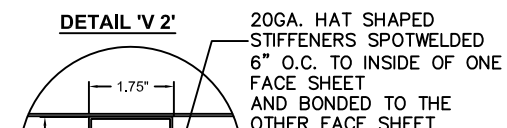
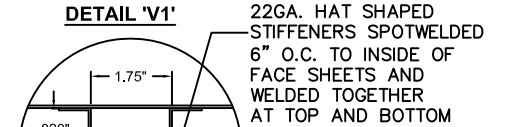
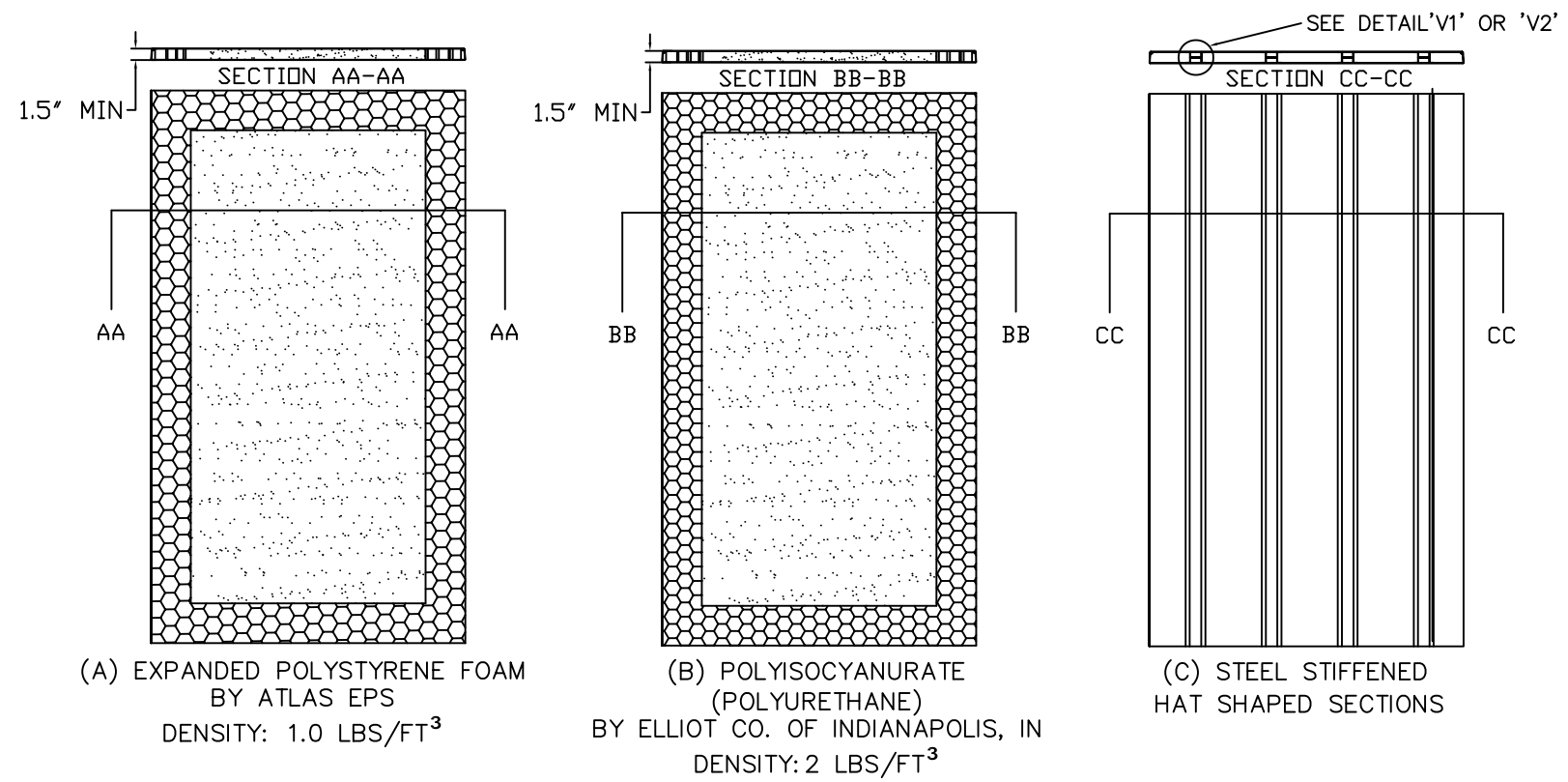
NOTES:
 1. FOR MAXIMUM DOOR AND UNIT OPENING SIZES SEE ELEVATION SHEET 1 AND TABLE 1 ON SHEET 2.
 2. SEE SHEET 4 & 17 FOR ANCHOR INSTALLATION AND SHEETS 3, 4, 5, 6 & 17 FOR SILL INSTALLATION DETAILS



BEND RADIUS		SCHLAGE LOCK COMPANY, LLC 11819 N. PENNSYLVANIA STREET CARMEL, IN 46032	
THIRD ANGLE PROJECTION		TITLE: STEELCRAFT H SERIES DOUBLE FLUSH OUTSWING COMMERCIAL STEEL DOORS WITH AND WITHOUT PANIC EXIT DEVICES	
DRAWN YMF	DATE 05/20/07	VERTICAL CROSS SECTIONS FOR FLUSH DOUBLE DOORS.	
CHECKED		SIZE FLAT	DWG NO. IRFD07
APPROVED		SCALE: NTS	AUTOCAD
ENG. APPVL JPD	10/12/07		REV 0
		SHEET 14 OF 17	

REVISIONS

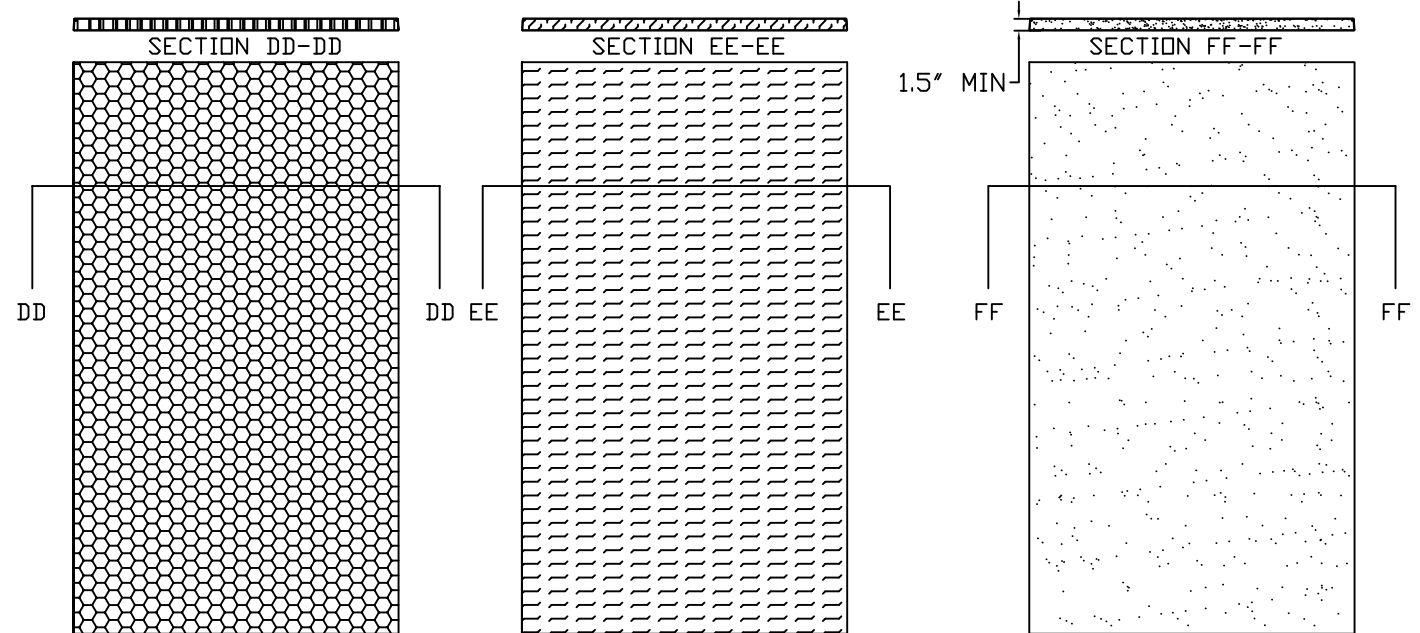
LTR	DESCRIPTION	DATE	APPROVED
A	APPROVAL DWG	JPD 02/03/14	
B	REVISED DWG	JPD 02/01/15	
C	REVISED DWG	JPD 06/30/15	
D	ENGINEER CHANGE	AM 12/01/16	
Q	REVISED DWG	JPD 07/18/18	



(A) EXPANDED POLYSTYRENE FOAM BY ATLAS EPS DENSITY: 1.0 LBS/FT³

(B) POLYISOCYANURATE (POLYURETHANE) BY ELLIOT CO. OF INDIANAPOLIS, IN DENSITY: 2 LBS/FT³

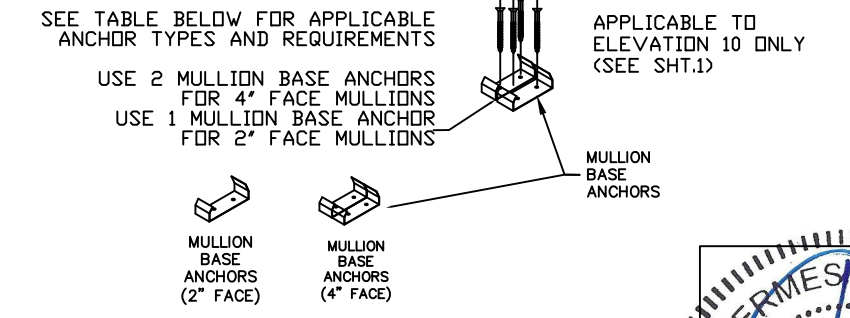
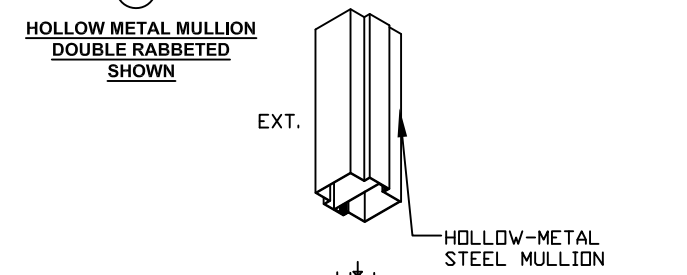
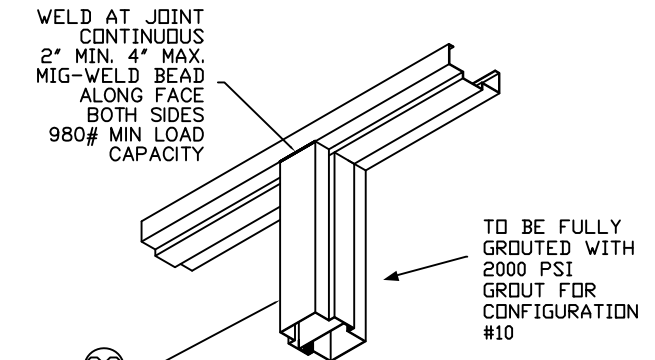
(C) STEEL STIFFENED HAT SHAPED SECTIONS



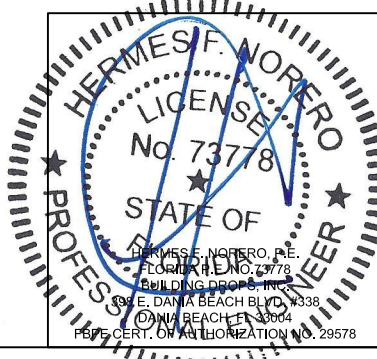
(D) HONEYCOMB KRAFT PAPER.

(E) TEMPERATURE RISE CORE MINERAL FIBER BOARD DENSITY: 17±1.5 LBS/FT³ PYROPHOBIC SYSTEMS LTD PYROPHOBIC PSL-P250C-60 OR MARSHFIELD DOOR SYSTEMS CALCIUM SILICATE MINERAL CORE

(F) EXPANDED POLYSTYRENE FOAM BY ATLAS EPS DENSITY: 1.0 LB/FT³ OR POLYISOCYANURATE (POLYURETHANE) BY ELLIOT CO. OF INDIANAPOLIS, IN. DENSITY: 2 LBS/FT³



Anchor	Embedment	Edge Distance	Conc. Strength	Spacing	Quantity
Elco 5/16" Ultracon	2"	3.75"	3515 psi	3-3/8" Thru Base Anchor	2 per Base Anchor (2 for 2" Face 4 for 4" Face)
Powers 3/8" Power-Bolt	2"				
Powers 3/8" Lok Bolt AS	1-1/4"				
Hilti 3/8" Kwik Bolt 3	1-5/8"				
Dewalt 3/8" Screw-Bolt+	2"				



NOTES:
1. CORE MATERIAL SHOWN WITHOUT CUTOUTS FOR REINFORCEMENTS

BEND RADIUS

THIRD ANGLE PROJECTION

DRAWN: JPD DATE: 02/03/14

CHECKED:

APPROVED:

ENG. APPVL:

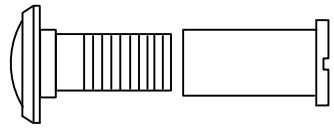
SCHLAGE LOCK COMPANY, LLC
11819 N. PENNSYLVANIA STREET
CARMEL, IN 46032

TITLE: STEELCRAFT H SERIES DOUBLE FLUSH OUTSWING COMMERCIAL STEEL DOORS WITH AND WITHOUT PANIC EXIT DEVICES

DOOR CORE OPTIONS AND HOLLOW METAL AND HARDWARE MULLION INSTALLATION

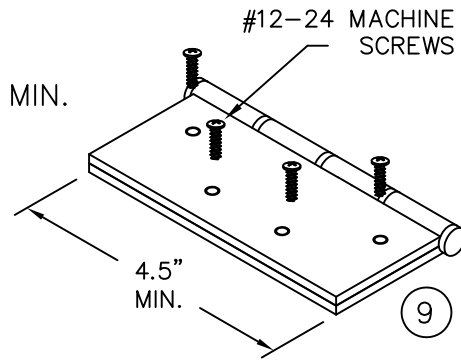
SIZE: FLAT DWG NO.: IRF D07

SCALE: NTS AUTOCAD SHEET 15 of 17

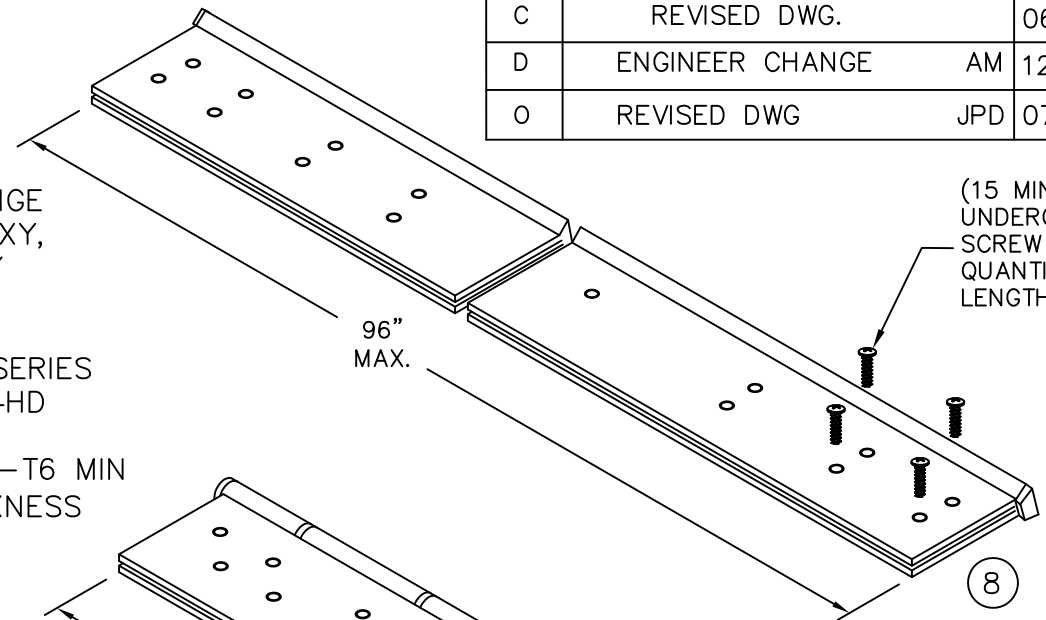


29 IVES 698/U698 DOOR VIEWER
APPLICATION LIMITED TO +/- 75
PSF DESIGN PRESSURE OR LESS

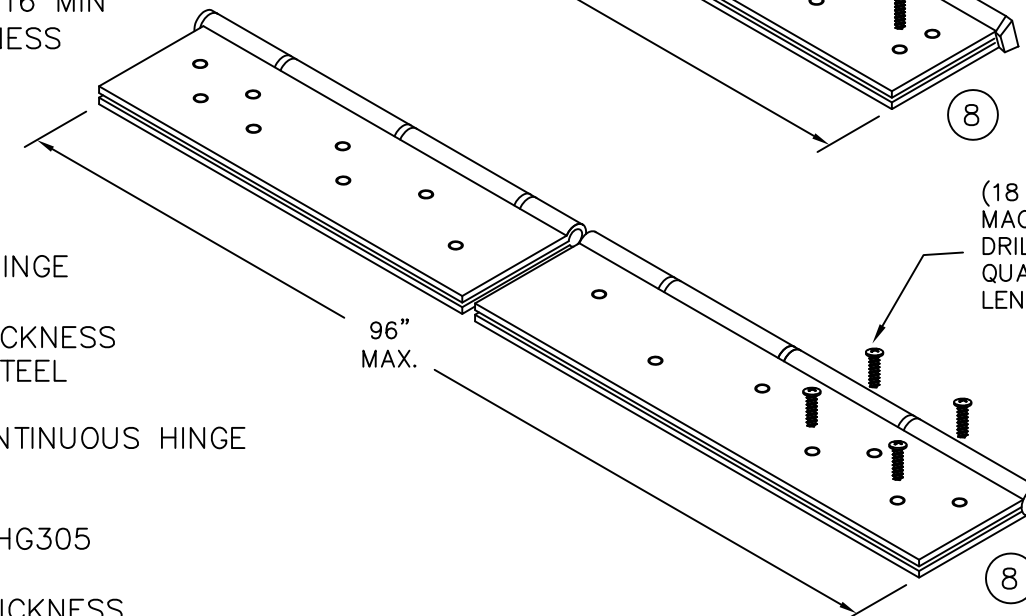
BUTT HINGE
4.5" X 4.5" STD. WT. MIN.
IVES 5BB1/3CB1
STANLEY FBB179/1900
HAGER BB1279
.134" MIN. THICKNESS
Fy MIN. = 36ksi



CONTINUOUS HINGE
IVES 112HD, 112XY,
224HD & 224XY
STANLEY 661HD
SELECT SL11HD
PEMKO FM_HD SERIES
HAGER 780-224HD
ABH A240HD
ALUMINUM 6036-T6 MIN
.110" MIN. THICKNESS

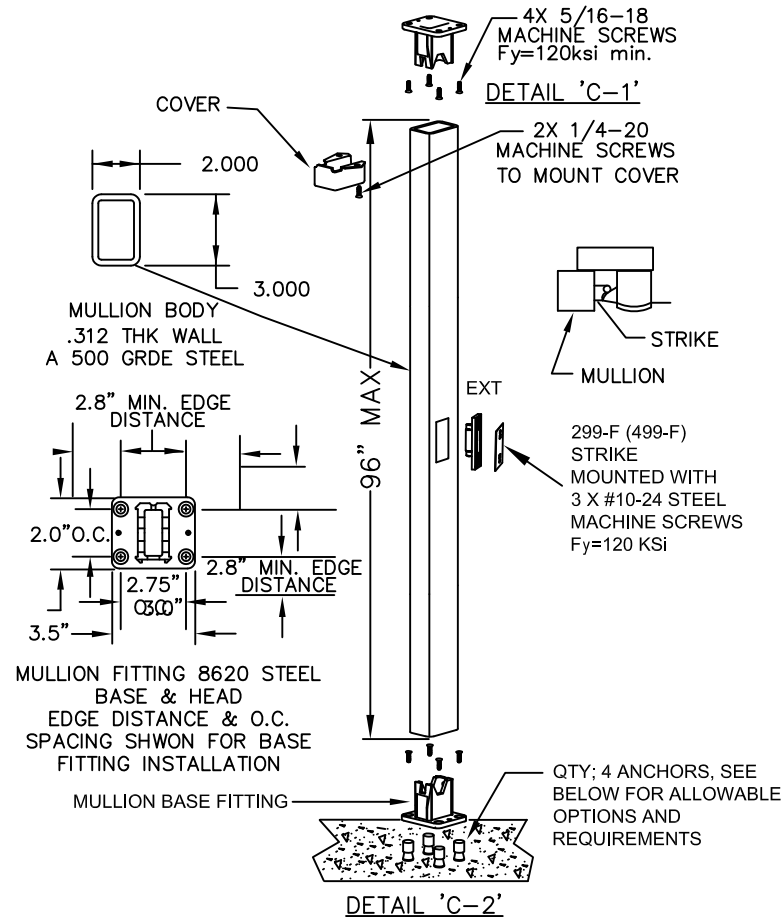


STEEL CONTINUOUS HINGE
IVES 600
.075 (14GA.) MIN. THCKNESS
1012 COLD ROLLED STEEL
Fy MIN. 45ksi
STAINLESS STEEL CONTINUOUS HINGE
IVES 700, 700CS
HAGER 790-900
MARKAR FM-300 & HG305
ABH A500
.075 (14GA.) MIN. THICKNESS
304 STAINLESS STEEL
Fy MIN. 31ksi



VON DUPRIN MULLION
2

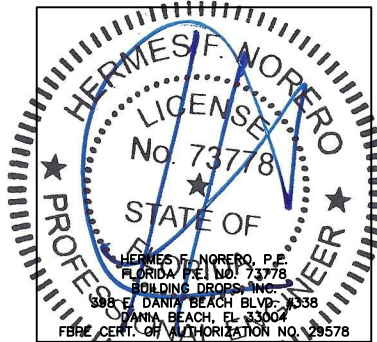
HH9954 MULLION



MULLION EXPANSION ANCHOR NOTES:
ANCHORS SHALL BE INSTALLED IN 3000 PSI CONCRETE (SEE ABOVE FOR SPACING
REQUIREMENTS), ALLOWABLE ANCHOR TYPES ARE:
1/4" POWERS SMART DI+ EXPANSION ANCHORS WITH MIN 1" EMBEDMENT
OR
1/4" HILTI KWIK BOLT 3 EXPANSION BOLTS WITH MIN 1-1/8" EMBEDMENT

CONTINUOUS HINGE NOTES:
1. QUANTITY OF SCREWS VARIES PER HINGE
LENGTH, MANUFACTURER AND MODEL NUMBER
2. SCREW SPACING VARIES PER HINGE LENGTH,
MANUFACTURER AND MODEL NUMBER
3. INSTALL HINGES PER THE MANUFACTURERS
INSTALLATION INSTRUCTIONS

REVISIONS			
LTR	DESCRIPTION	DATE	APPROVED
B	REVISED DWG.	02/01/15	
C	REVISED DWG.	06/30/15	
D	ENGINEER CHANGE	AM 12/01/16	
O	REVISED DWG	JPD 07/18/18	



BEND RADIUS		SCHLAGE LOCK COMPANY, LLC 11819 N. PENNSYLVANIA STREET CARMEL, IN 46032	
THIRD ANGLE PROJECTION		TITLE: STEELCRAFT H SERIES DOUBLE FLUSH OUTSWING COMMERCIAL STEEL DOORS WITH AND WITHOUT PANIC EXIT DEVICES	
DRAWN JPD	DATE 02/03/14	HINGE OPTIONS	
CHECKED		SIZE FLAT	DWG NO. IRFD07
APPROVED		SCALE: NTS	REV O
ENG. APPVL		AUTOCAD	SHT 16 OF 17

